

JIS F2017-1982 BC Type Bulwark mounted Panama Chock

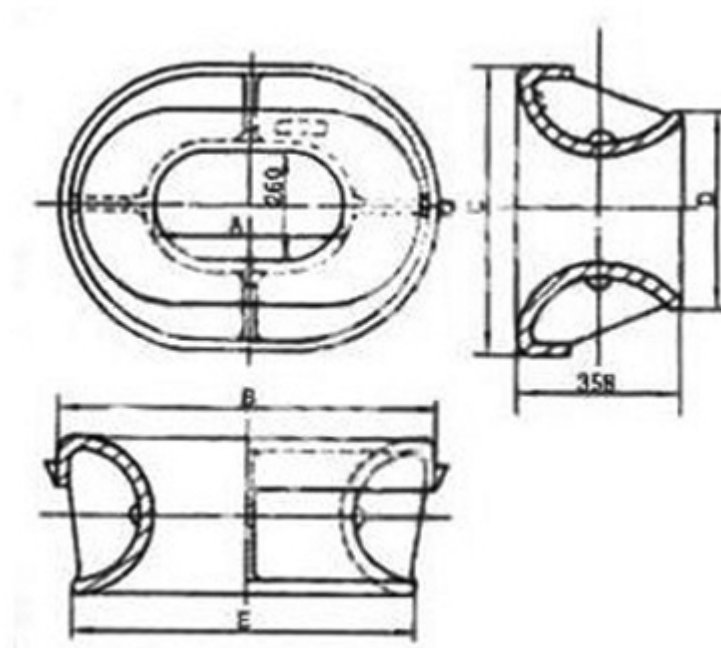


Ship chock is used on all kinds of ship,vessel,boat,tanker,tug etc. We provide reliable quality goods in fast delivery time.Different standards marine chock available.

Description:

- 1.Material:cast steel.
- 2.Certificate:CCS,BV,DNV,ABS,mill certificate available.
- 3.Surface treatment: sand blasting.
- 4.Painting:Epoxy zinc rich primer or Black bitumen paint.
- 5.Packing:Iron shelf or as per your request.

Drawing:



General size chart:

JIS F2017-1982 Type BC Bulwark mounted Panama Chock

Model	Size(mm)					Weight (KG)
	A	B	C	D	E	
PBC-001	310	734	684	462	652	276
PBC-002	360	788	688	464	704	305
PBC-003	400	832	692	470	750	344
PBC-004	450	886	696	474	802	385
PBC-005	500	940	700	478	854	422