

EU Type Deck Mounting Chock

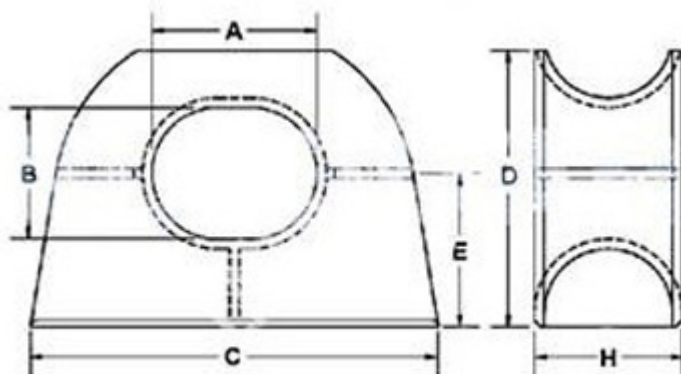


The Chock and other deck fittings are used by military and industrial ships, operating effectively throughout the world. We design and manufacture marine equipments in a wide variety of sizes and styles.

Feature:

1. Strict quality control.
2. Can issue BV, CCS, DNV, ABS, mill certificate
3. Material: ZG200-400, ZG230-450.
4. Paint: Grey Epoxy Primer or Black Bitumen Paint, also can do comply with your requirement for the thickness.
5. Packing: Steel Pallet
6. Surface in contact with the rope in use been finished smoothly.

Drawing:



Size chart:

Deck Mounted Chock EU Type							
Product No.	Dimension(mm)						Mass(kgs)
	A	B	C	D	E	H	
DME-001	315	250	815	620	365	380	230
DME-002	425	280	1075	785	450	500	378
DME-003	500	400	1340	900	506	560	608
DME-004	500	400	1238	840	467	450	500
DME-005	600	315	1360	865	507	560	598
DME-006	600	450	1360	1000	575	560	820
DME-007	600	450	1560	1200	675	760	1200
DME-008	800	600	1700	1160	640	580	1430