

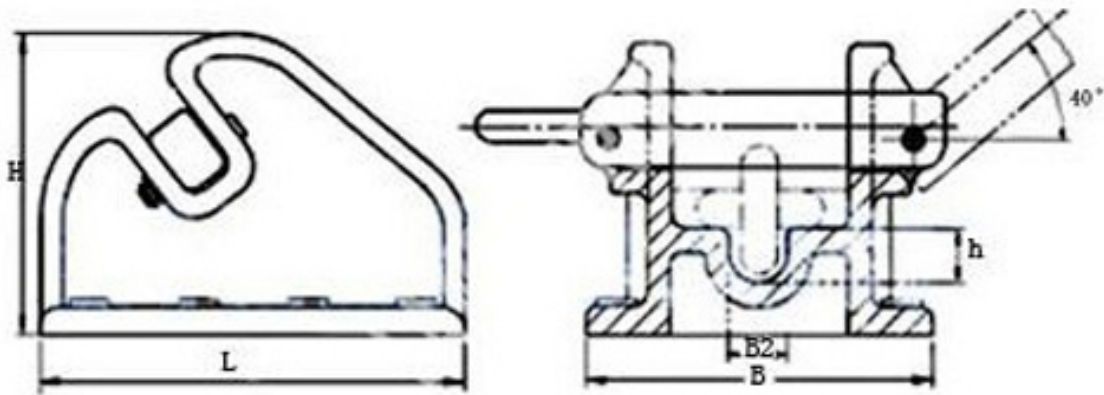
## JIS F2002-1976 cast iron Bar Type Chain Stopper



Chain stopper is use for fix the anchor chain prevent it roll out,it can reduce the working load of chain effectively to protect windlass. It can be made from cast iron,cast steel or other material.

- 1.Certificate:CCS,BV,ABS,DNV etc.
- 2.Surface Treatment:Polished,galvanized or bitumen painted
- 3.Can be customized according to customers requirements
- 4.Long service life,endurable.

**Drawing:**



**Size chart:**

Nominal Chain Dia.(mm)	Dimensions(mm)					
	B	H	L	h	B2	weight(kg)
17-19	195	190	270	32	32	22
20-22	215	216	310	37	38	31
23-25	240	241	345	43	43	44
26-28	265	270	385	48	49	58
30-32	305	305	435	54	55	89
34-36	340	342	490	61	61	122
38-40	370	378	540	68	65	160
42-44	405	412	590	75	72	208
46-48	440	450	640	82	78	272
50-52	470	491	695	88	85	338
54-56	495	522	745	95	92	414
58-60	530	564	795	102	98	505
62-64	565	600	850	109	104	618
66-68	590	635	900	116	110	737