

## DIN 82607-1995 ship use double bollard



Material: Steel

Warranty: 2 Years

Working Time: 10-15 Years

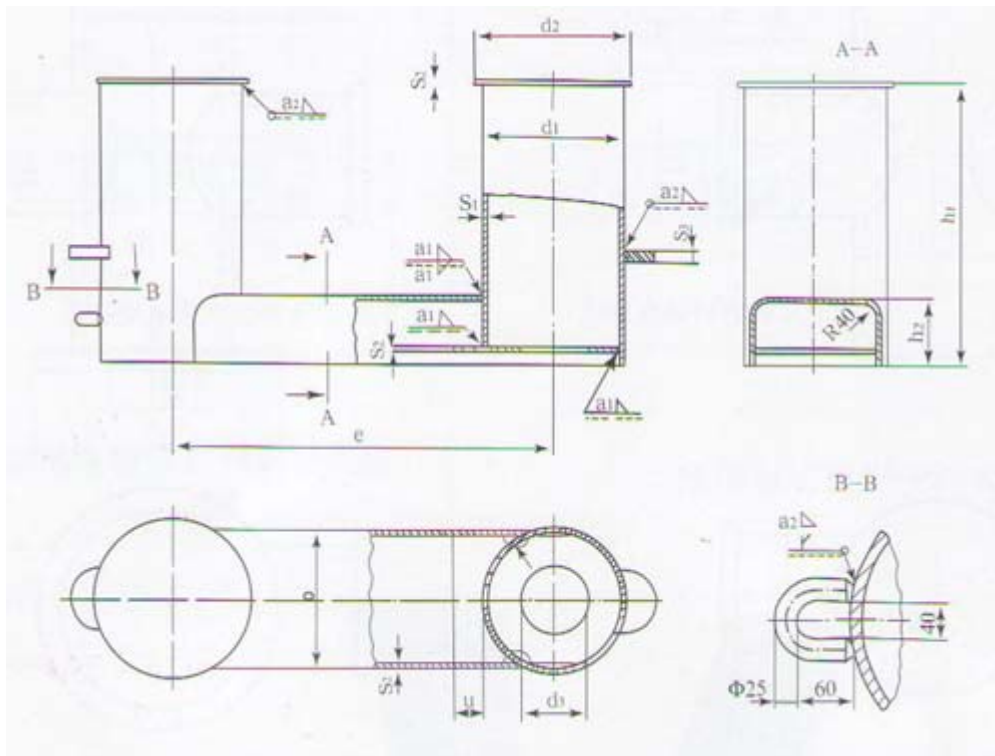
Certificate: ABS, LR, NK, GL, DNV, BV, CCS

Custom made

### **Feature:**

- 1.Long working life
- 2.Highquality with competitive price.
- 3.Can be customized.

**Drawing:**



**Dimension Table:**

| Double Bollard DIN 82607-1995 |      |                        |                  |     |       |            |       |       |       |            |
|-------------------------------|------|------------------------|------------------|-----|-------|------------|-------|-------|-------|------------|
| Product No.                   | Type | Rated Towing Pull (kN) | $d_1 \times s_1$ | b   | $d_2$ | $e \pm 10$ | $h_1$ | $h_2$ | $s_2$ | Weight(kg) |
| BDB-001                       | D1   | 10                     | 139.7*6.3        | 130 | 160   | 430        | 370   | 105   | 5     | 20.6       |
| BDB-002                       | D2   | 20                     | 219.1*8.0        | 180 | 242   | 570        | 475   | 115   | 6     | 52.3       |
| BDB-003                       | D3   | 32                     | 273.0*10.0       | 250 | 300   | 700        | 570   | 135   | 8     | 99.5       |
| BDB-004                       | D5   | 50                     | 323.9*10.0       | 300 | 355   | 880        | 670   | 150   | 8     | 145.4      |
| BDB-005                       | D8   | 80                     | 355.6*14.2       | 330 | 390   | 1050       | 780   | 175   | 10    | 259.4      |
| BDB-006                       | D12  | 120                    | 457.0*16.0       | 420 | 490   | 1200       | 860   | 195   | 16    | 437        |
| BDB-007                       | D20  | 200                    | 508.0*17.5       | 470 | 545   | 1350       | 970   | 230   | 16    | 571        |
| BDB-008                       | D32  | 320                    | 559.0*20.0       | 530 | 600   | 1400       | 1000  | 270   | 16    | 830        |