

Jinbo Marine

Marine & Offshore Equipment Datasheet

PRODUCT DATASHEET

SEWAGE PUMP

0.5CWF-6(B)Marine crushing pump

0.5CWF-6(B)Marine crushing pump CWF series marine pulverizing pump is the open impeller centrifugal discharge pump, which is used to pulverize and transfer the soft foul in the sanitary sewage under 85°C. The maximum dia...

ISO9001 Supplier

Class Certificate

Export Supply



Key Highlights

Category	Sewage Pump
Standard	EN
Certificate	ABS, LR, BV, DNVGL, NK, KR, IRS, RMRS, CCS

We can supply according to your requirement, drawings, class certificate needs, and delivery schedule.

Technical Specifications

Category	Sewage Pump	Model / SKU	0-5CWF-6-B-Marine-crushing-pump
Standard	EN	Certificate	ABS, LR, BV, DNVGL, NK, KR, IRS, RMRS, CCS
Warranty	12 Months unless specified otherwise	Origin	China

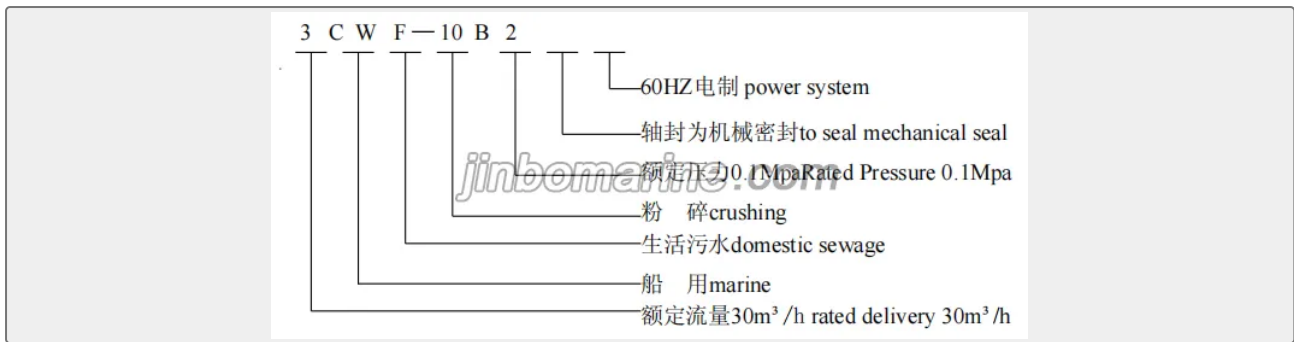
CONTENTS

- 0.5CWF-6(B)Marine crushing pump
- Structure:
- Technical data:

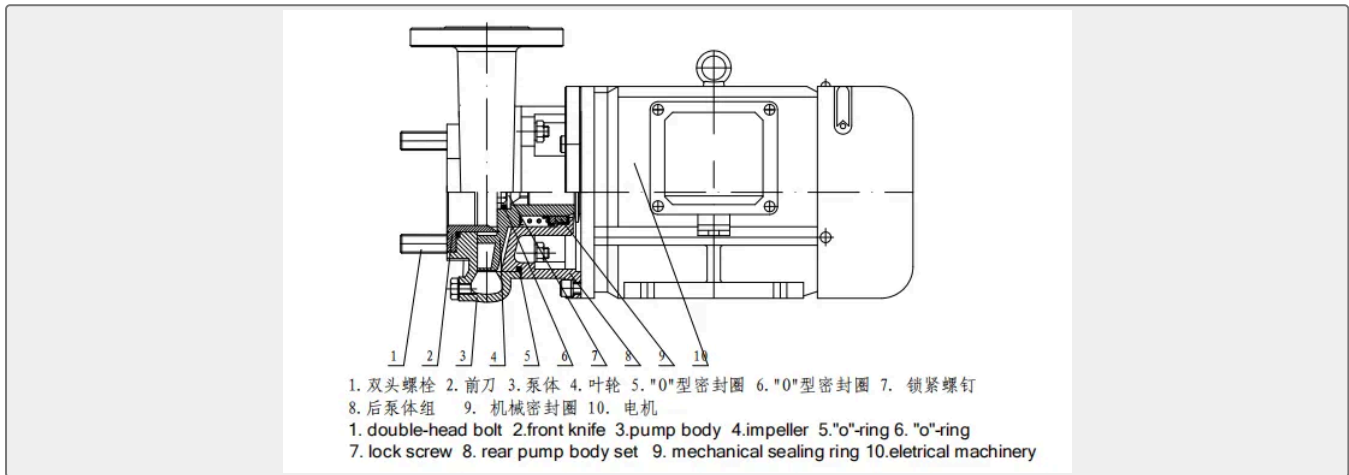
0.5CWF-6(B)Marine crushing pump

CWF series marine pulverizing pump is the open impeller centrifugal discharge pump, which is used to pulverize and transfer the soft foul in the sanitary sewage under 85°C. The maximum diameter of solid particle after circular pulverizing is within 5mm. It is also applicable to pulverize the coagulate of heavy oil under low temperature, in order to facilitate injection.





Structure:



Technical data:

Model	Flow m ³ /h	Pressure MPa	Motor Power KW	Speed r/min	Out let DN mm	Inlet DN mm
0.5CWF-6(B)	5	0.06	0.75	2820	32	50
0.5CWF-10(B)	5	0.10	1.1	2820	32	50
0.5CWF-15(B)	5	0.15	1.1	2820	32	50
0.5CWF-20(B)	5	0.20	1.5	2840	32	50
0.5CWF-30(B)	5	0.30	3.0	2880	32	50
1CWF-11(B)	10	0.11	1.5	2840	40	65
1CWF-20(B)	10	0.20	3.0	2880	40	65
1CWF-30(B)	10	0.30	4.0	2900	40	65
2CWF-11(B)	20	0.11	2.2	2840	50	65
2CWF-20(B)	20	0.20	3.0	2890	50	65
2CWF-30(B)	20	0.30	5.5	2900	50	65
3CWF-10(B)	30	0.10	4.0	2890	65	80

CWF系列船用粉碎泵外型尺寸图

