

Jinbo Marine

Marine & Offshore Equipment Datasheet

PRODUCT DATASHEET

COMMUNICATION AND NAVIGATION SYSTEM

0.6 meter Ku-band Satcom on the move for vessels

ISO9001 Supplier

Class Certificate

Export Supply

0.6 meter Ku-band Satcom on the move for vessels Model S060-14A Introduction Model S060-14A is a Ku-band Satcom on the move for ship, which adopts high precision strap-down inertial navigation system,...



Key Highlights

Category	Communication and Navigation System
Standard	EN
Weight / Size	Panel Antenna 5. Antenna Size:
Certificate	ABS, LR, BV, DNVGL, NK, KR, IRS, RMRS, CCS

We can supply according to your requirement, drawings, class certificate needs, and delivery schedule.

Technical Specifications

Category	Communication and Navigation System	Model / SKU	0-6-meter-Ku-band-Satcom-on-the-move-for-vessels
Standard	EN	Weight / Size	Panel Antenna 5. Antenna Size:
Certificate	ABS, LR, BV, DNVGL, NK, KR, IRS, RMRS, CCS	Warranty	12 Months unless specified otherwise
Origin	China		

CONTENTS

- 0.6 meter Ku-band Satcom on the move for vessels
- Introduction
- Specifications
- Application Fields
- Model S060-14A
- Features
- Product Dimensions



0.6 meter Ku-band Satcom on the move for vessels

Model S060-14A

Introduction

Model S060-14A is a Ku-band Satcom on the move for ship, which adopts high precision strap-down inertial navigation system, beacon tracking and built-in GPS module. All these guarantee that the antenna point accurately at the satellite, transmitting and receiving signals stably while the ship is moving, even the ship is under extremely bad circumstance.

Model S060-14A is compatible with 2 or 3 axis base, which would allow client a wider choice. Moreover, the system adopts maintenance-free dehumidification technology, making it convenient for use.

Features

- I Module design, high integration
- I High tracking precision, fast speed response
- I Maintenance-free dehumidification system
- I Compatible 2/3 axis base design, wider choice
- I Broadband antenna technology

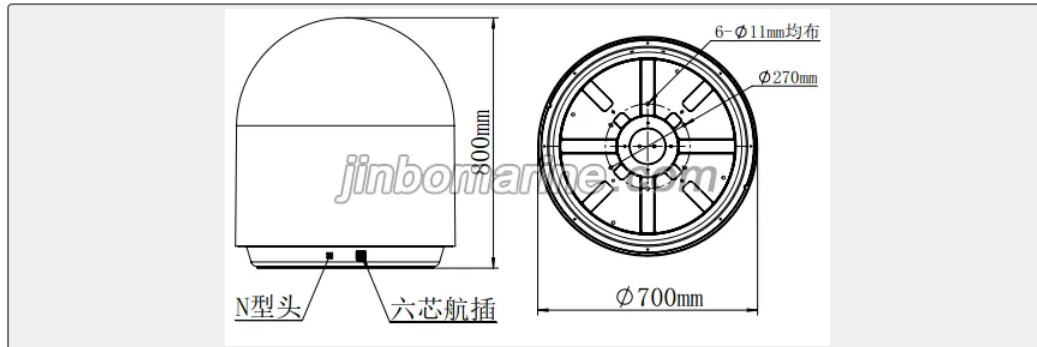
Specifications

- Working Frequency: TX: 13.75GHz~14.5GHz
RX: 10.7GHz~12.75GHz
- Antenna Gain: TX \geq 36.5dBi@14.25GHz
RX \geq 35.3dBi@12.5GHz
- Polarization: Linear
- Antenna Type: Panel Antenna
- Antenna Size: 0.2m
- Pedestal: 2/3 axis compatible
- Antenna Range:
Azimuth Angle: 360°continuous turning
Elevation Angle: 2-Axis: -5° ~ 90°, 3-Axis: -10° ~ 110°
Cross Angle: 2- Axis: non, 3-Axis: -30°~30°
- Tracking accuracy: 0.5dB (R.M.S)
- Ship's Motion:
Roll: \pm 30°@5s
Pitch: \pm 30°@5s
Yaw: 30°/s
- Working Temperature: -40°C ~ +55°C



11. Humidity: 0% ~ 95%
12. Antenna Input Power: 24V(18 ~ 30V)
13. Power Consumption: $\leq 115W$ (Amplifier not included)
14. Weight: 30 Kg

Product Dimensions



Application Fields

The system can be used for ships on the sea or inland waterway. It can establish communications with normal linear polarization satellites, even when the ship is at a high-speed voyage. Equipped with a related decoder, the system can realize audio video bilateral transportation and data share etc. It has the following highlights: unlimited communications distance, convenient installation and all areas adaption.