

Jinbo Marine

Marine & Offshore Equipment Datasheet

PRODUCT DATASHEET

HIGH PRESSURE WATER COOLED MARINE AIR COMPRESSOR

1-0.27/150A Horizontal Navy Marine High Pressure Water Cooled Air Compressor

ISO9001 Supplier

Class Certificate

Export Supply

Description: 1. Adopt three-stage compression and water cooling. Mainly used for ship projects; 2. High and low pressure automatic start and stop water pressure control automatic unloading and sewage d...



Key Highlights

Category	High Pressure Water Cooled Marine Air Compressor
Standard	DIN
Weight / Size	Model Volume flow m3/min Exhaust pressure MPa Power kW Frequency HZ Rate...
Certificate	ABS, LR, BV, DNVGL, NK, KR, IRS, RMRS, CCS

We can supply according to your requirement, drawings, class certificate needs, and delivery schedule.



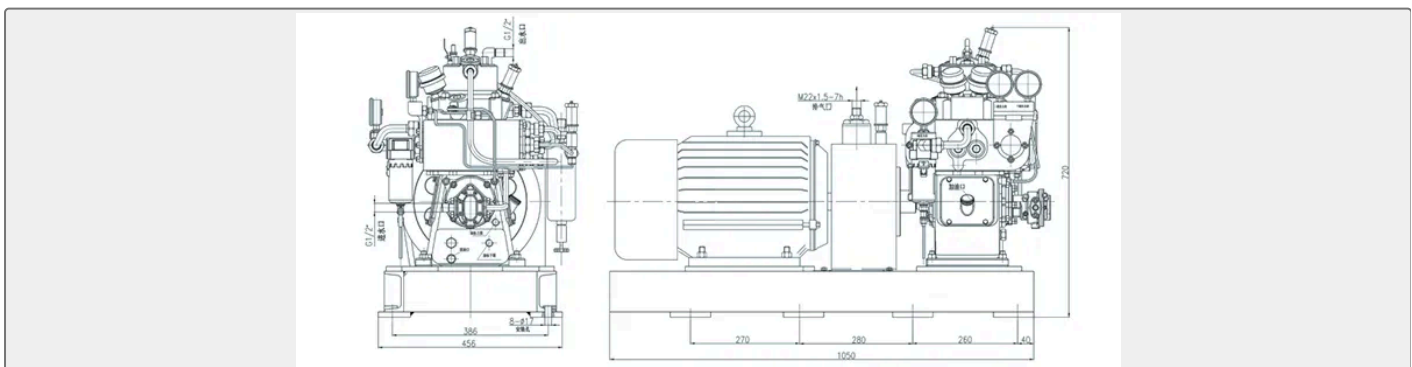
Technical Specifications			
Category	High Pressure Water Cooled Marine Air Compressor	Model / SKU	1-0-27-150A-Horizontal-Navy-Marine-High-Pressure-Water-Cooled-Air-Compressor
Standard	DIN	Weight / Size	Model Volume flow m3/min Exhaust pressure MPa Power kW Frequency HZ Rated speed r/min Weight kg L x W x H mm 1 CZ-0.41/200A 0.41 19.6 11 50/60 1470 320 1125x500x760 2 CZ-0.42/150A 0.42 14.7 11 50/60 1470 320 1125x500x760 3 CZ-0.43/60A 0.43 6 11 50/60 1470 290 1125x500x760 4 1-0.27/150A 0.27 14.7 7.5 50/60 970 280 1125x500x760
Certificate	ABS, LR, BV, DNVGL, NK, KR, IRS, RMRS, CCS	Warranty	12 Months unless specified otherwise
Origin	China		

CONTENTS	<input checked="" type="checkbox"/> Description: <input type="checkbox"/> Technical data:
-----------------	---

Description:

1. Adopt three-stage compression and water cooling. Mainly used for ship projects;
2. High and low pressure automatic start and stop water pressure control automatic unloading and sewage discharge;
3. Obtain the classification society factory type approval and provide the classification society certification;
4. Customized according to customer requirements

Technical data:



No	Model	Volume flow m3/min	Exhaust pressure MPa	Power kW	Frequency HZ	Rated speed r/min	Weight kg	L x W x H mm
.								



1	CZ-0.41/200A	0.41	19.6	11	50/60	1470	320	1125x500x760
2	CZ-0.42/150A	0.42	14.7	11	50/60	1470	320	1125x500x760
3	CZ-0.43/60A	0.43	6	11	50/60	1470	290	1125x500x760
4	1-0.27/150A	0.27	14.7	7.5	50/60	970	280	1125x500x760