

Jinbo Marine

Marine & Offshore Equipment Datasheet

PRODUCT DATASHEET

HIGH PRESSURE WATER COOLED MARINE AIR COMPRESSOR

1-0.27/150B Vertical Navy Marine High Pressure Water Cooled Air Compressor

ISO9001 Supplier

Class Certificate

Export Supply

Description: 1. Adopt three-stage compression and water cooling. Mainly used for navy ship projects; 2. High and low pressure automatic start and stop, water pressure control, automatic unloading an...



Key Highlights

Category	High Pressure Water Cooled Marine Air Compressor
Standard	DIN
Weight / Size	Model Volume flow m ³ /min Exhaust pressure MPa Power kW Frequency HZ Rate...
Certificate	ABS, LR, BV, DNVGL, NK, KR, IRS, RMRS, CCS

We can supply according to your requirement, drawings, class certificate needs, and delivery schedule.



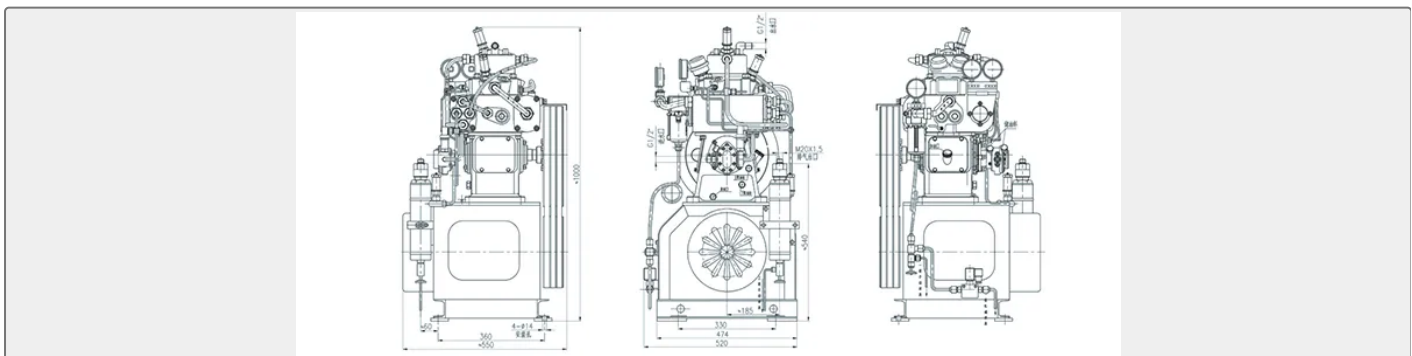
Technical Specifications			
Category	High Pressure Water Cooled Marine Air Compressor	Model / SKU	1-0-27-150B-Vertical-Navy-Marine-High-Pressure-Water-Cooled-Air-Compressor
Standard	DIN	Weight / Size	Model Volume flow m3/min Exhaust pressure MPa Power kW Frequency HZ Rated speed r/min Weight kg L x W x H mm 1 CZ-0.41/200B 0.41 19.6 11 50/60 1470 320 600x600x1100 2 CZ-0.42/150B 0.42 14.7 11 50/60 1470 320 600x600x1100 3 CZ-0.43/60B 0.43 6 11 50/60 1470 290 600x600x1100 4 1-0.27/150B 0.27 14.7 7.5 50/60 970 280 600x600x1100
Certificate	ABS, LR, BV, DNVGL, NK, KR, IRS, RMRS, CCS	Warranty	12 Months unless specified otherwise
Origin	China		

CONTENTS	<input checked="" type="checkbox"/> Description: <input type="checkbox"/> Technical data:
-----------------	---

Description:

1. Adopt three-stage compression and water cooling. Mainly used for navy ship projects;
2. High and low pressure automatic start and stop, water pressure control, automatic unloading and sewage discharge;
3. Obtain the classification society factory type approval and provide the classification society certification;
4. Customized according to customer requirements;
5. Vertical structure suitable for tighter spaces

Technical data:



No	Model	Volume flow m3/min	Exhaust pressure MPa	Power kW	Frequency HZ	Rated speed r/min	Weight kg	L x W x H
.							0.084898s	

1	CZ-0.41/200B	0.41	19.6	11	50/60	1470	320	600x600x1100
2	CZ-0.42/150B	0.42	14.7	11	50/60	1470	320	600x600x1100
3	CZ-0.43/60B	0.43	6	11	50/60	1470	290	600x600x1100
4	1-0.27/150B	0.27	14.7	7.5	50/60	970	280	600x600x1100