

Jinbo Marine

Marine & Offshore Equipment Datasheet

PRODUCT DATASHEET

VORTEX PUMP

1.5CWX-2 Series Self-Priming Vortex Pump

ISO9001 Supplier

Class Certificate

Export Supply

Description: 1.5CWX-2 Vortex pump for ship installations heart pumping water, washing and sanitation used in freshwater and seawater Technical data: Model Capacit...



Key Highlights

Category	Vortex Pump
Standard	EN
Weight / Size	Model Capacity m3/h Head n Speed r/min NPSH M Suction head m Shaft power...
Certificate	ABS, LR, BV, DNVGL, NK, KR, IRS, RMRS, CCS

We can supply according to your requirement, drawings, class certificate needs, and delivery schedule.



Technical Specifications			
Category	Vortex Pump	Model / SKU	1-5CWX-2-Series-Self-Priming-Vortex-Pump
Standard	EN	Weight / Size	Model Capacity m3/h Head n Speed r/min NPSH M Suction head m Shaft power Efficiency % Motor power kw Wight kg 1.5CWX-2 3 40 2900 4 6 2 16.3 2.2 45 1.5CWX-3 6.5 35 2900 4 6 2.3 26.9 3 50 1.5CWX-4 10 35 2900 4 6 2.5 38.1 4 65 1.5CWX-2A 3 40 2900 4 6 2 16.8 2.2 63 1.5CWX-3A 6.5 35 2900 4 6 2.3 26.9 3 68 1.5CWX-4A 10 35 2900 4 6 2.5 38.1 4 84 Perfrance parameters in case of power supply frequency of 60Hz, 3P.
Certificate	ABS, LR, BV, DNVGL, NK, KR, IRS, RMRS, CCS	Warranty	12 Months unless specified otherwise
Origin	China		

CONTENTS	Description:	Technical data:
	<ul style="list-style-type: none"> Overall dimension 	

Description:

1.5CWX-2 Vortex pump for ship installations heart pumping water, washing and sanitation used in freshwater and seawater

Technical data:

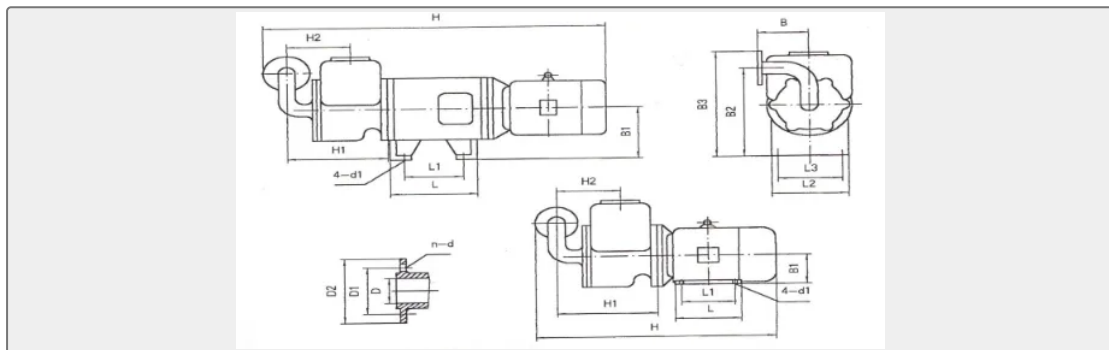
Model	Capacity m3/h	Head n	Speed r/min	NPSH M	Suction head m	Shaft power	Efficiency %	Motor power kw	Wight kg
1.5CWX-2	3	40	2900	4	6	2	16.3	2.2	45
1.5CWX-3	6.5	35	2900	4	6	2.3	26.9	3	50
1.5CWX-4	10	35	2900	4	6	2.5	38.1	4	65
1.5CWX-2A	3	40	2900	4	6	2	16.8	2.2	63
1.5CWX-3A	6.5	35	2900	4	6	2.3	26.9	3	68
1.5CWX-4A	10	35	2900	4	6	2.5	38.1	4	84

Perfrance parameters in case of power supply frequency of 60Hz, 3P. 440V:



Model	Capacity m ³ /h	Head n	Speed r/min	NPSH M	Suction head m	Shaft power	Efficiency %	Motor power kw	Wight kg
1.5CWX-2	3.6	57	3500	4.5	5.2	3.43	16.3	4	65
1.5CWX-3	7.8	50	3500	4.5	5.2	3.95	26.9	5.5	82
1.5CWX-4	12	50	3500	4.5	5.2	4.29	38.1	5.5	86
1.5CWX-2A	3.6	57	3500	4.5	5.2	3.43	16.8	4	83
1.5CWX-3A	7.8	50	3500	4.5	5.2	3.95	26.9	5.5	100
1.5CWX-4A	12	50	3500	4.5	5.2	4.29	38.1	5.5	105

Overall dimension



Model	H	H1	H2	L	L1	L2	L3
1.5CWX-2	605	260	150	155	125	180	140
1.5CWX-3	640			180	550	245	190
1.5CWX-4	660			580			
1.5CWX-2A	925			310	234	180	140
1.5CWX-3A	970						
1.5CWX-4A	990						

Model	B	B1	B2	B3	d1	D	D1	D2	n-d
1.5CWX-2	130	90	230	295	φ12	40	93	125	6-φ15/M12
1.5CWX-3		100	240	302					
1.5CWX-4		112	252	315	φ15				
1.5CWX-2A		180	320	385	φ18				
1.5CWX-3A									
1.5CWX-4A									

