

CENTRIFUGAL PUMP

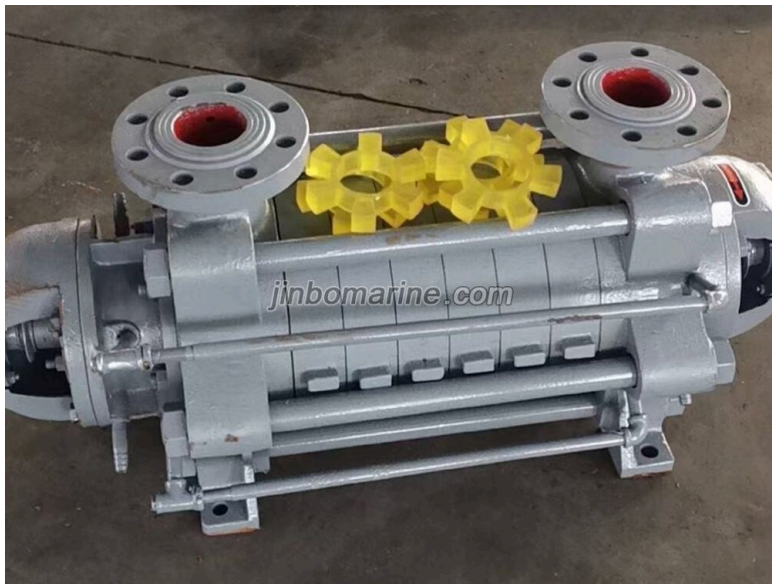
1.5GCJ-5 Single Suction Multi-stage Marine boiler feedwater pump

ISO9001 Supplier

Class Certificate

Export Supply

General Description Type 1.5GCJ pump is centrifugal pumps of single suction and multi-stage segmental type which can be used to transport clean water and liquids with physical and chemical nature similar to water.The ...



Key Highlights

Category	Centrifugal Pump
Standard	DIN
Certificate	ABS, LR, BV, DNVGL, NK, KR, IRS, RMRS, CCS

We can supply according to your requirement, drawings, class certificate needs, and delivery schedule.

Technical Specifications

Category	Centrifugal Pump	Model / SKU	1-5GCJ-5-Single-Suction-Multi-stage-Marine-boiler-feedwater-pump
Standard	DIN	Surface	Rotor of the pump is composed of shaft,impellers,sleeves,and balancing disk,The two ends are supported by the ball-bearings Paper gaskets are used on the contacting surfaces between the suction casing,mid-segment and discharge casing of the pump.They are sealed by tightening the bolts.
Certificate	ABS, LR, BV, DNVGL, NK, KR, IRS, RMRS, CCS	Warranty	12 Months unless specified otherwise
Origin	China		



General Description

Type 1.5GCJ pump is centrifugal pumps of single suction and multi-stage segmental type which can be used to transport clean water and liquids with physical and chemical nature similar to water. The liquid temperature is not higher than 110 °C .It is suitable for water feeding to boilers, and water supplying to factories and cities.

Designation of 1.5GCJ — 5 × 6

1.5 — Suction diameter(mm)divided by 25 , and then change the Value into integer

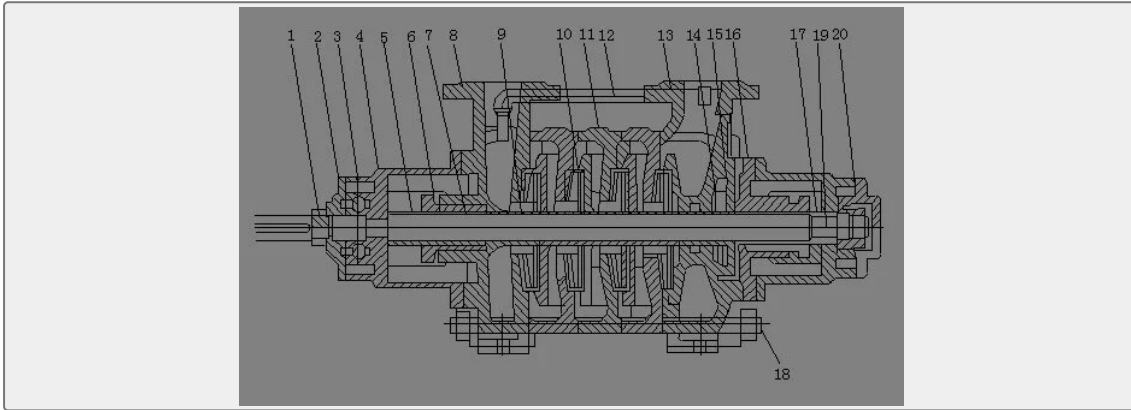
G — Boiler feed pump

C — Indicating type of te pump

J — Mechanical seals

5 — Specific speed divided by 10 (i.e.the specific speed of the pump is 50)

6 — Number of impellers



1 、 Sleeve nut	2 、 Bearing Cover
3 、 Bearing	4 、 Bearing body
5 、 Sleeve	6 、 packing gland
7 、 Sealing machine	8 、 Suction casing
9 、 Wearing ring	10 、 Impeller
11 、 Midsegment	12 、 Balance pipe
13 、 Discharge casing	14 、 Balancing ring
15 、 Balancing disk	16 、 End cover
17 、 Sleeve	18 、 Tightening
19 、 Pump shaft	20 、 Round nut

The directions of suction and discharge of the pump are all vertical and upward .with different stages selected according to the needed head.

Stator of the pump is composed of suction casing .mid-segment.discharge casing .end cover and bearing body.

Rotor of the pump is composed of shaft.impellers.sleeves,and balancing disk,The two ends are supported by the ball-bearings

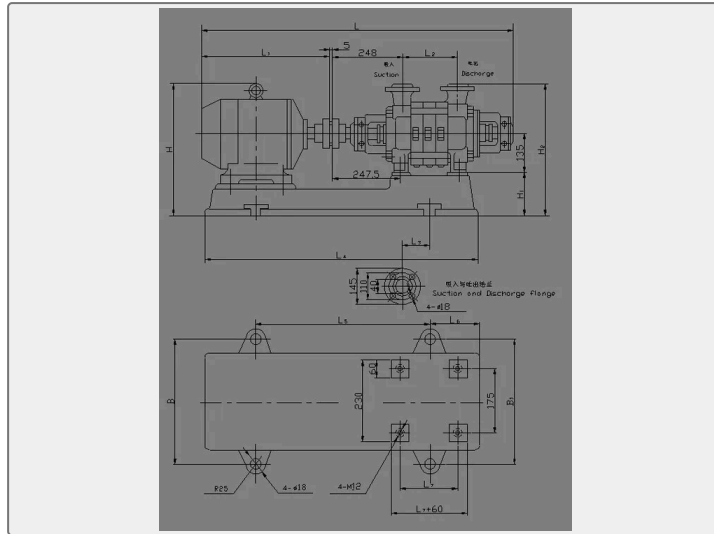
Paper gaskets are used on the contacting surfaces between the suction casing.mid-segment and discharge casing of the pump.They are sealed by tightening the bolts. o -rings are mounted on the interfaces between the sleeves to prevent water from entering the bearnjngs. o ilimmersed machine is sealing at the two ends the pump.


There are water cooling jackets around the bearing housings.when the temperature of liquid is higher than 80 °C

,Cooling water should be turned on to cool the bernings.

Calcium grease lubricant is fired into the bearing through oil-cups.

Viewing from the direction of the suction casing .the pump is rotating clockwise



No. of stages	Q Rate of flow		Total Head H(m)	Rotating Speed r/min	Power(kw)		n(%) Efficiency n(%)	Permissible suction head Hs(m)	OD.of Impeller (mm)	
	m3/hr	L/Sec			Shaft power	Moterpower				
2	6	166	46	2950	2	 1.5GCJ-5 Single Suction Multi-stage Marine boiler feedwater pump	38	65	136	
3	6	166	60	2950	3					
4	6	166	92	2950	4					
5	6	166	115	2050	5					
6	6	166	138	2950	6					
7	6	166	161	2950	7					55
8	6	166	184	2950	8					75
9	6	166	207	2950	9					75
										11
										15