

# Jinbo Marine

Marine & Offshore Equipment Datasheet

PRODUCT DATASHEET

## ELECTRICAL CONNECTORS

# HH 10A/16A Marine Brass Switch

10A/16A Marine Brass Switch

ISO9001 Supplier

Class Certificate

Export Supply



### Key Highlights

Category	Electrical Connectors
Standard	EN
Material	Brass
Weight / Size	HH 10A/16A Marine Brass Switch Technical Specification Voltage 24V 125V ...
Certificate	ABS, LR, BV, DNVGL, NK, KR, IRS, RMRS, CCS

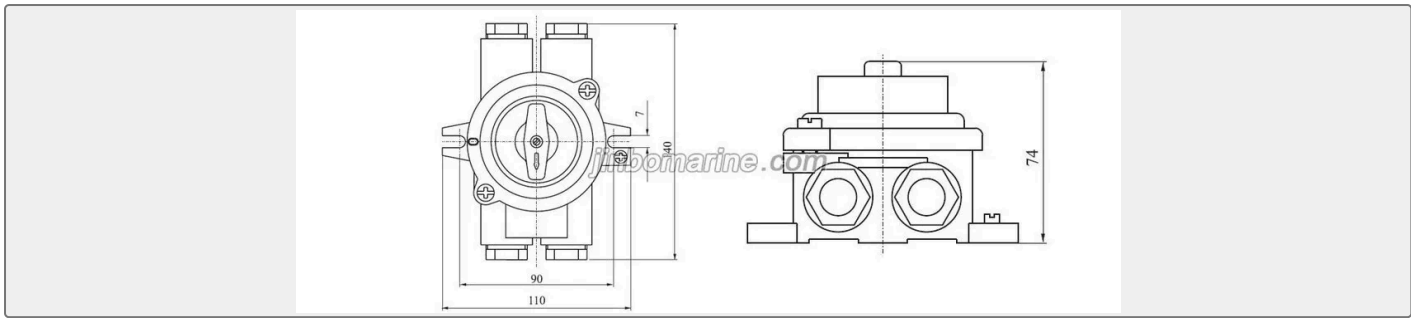
We can supply according to your requirement, drawings, class certificate needs, and delivery schedule.



Technical Specifications			
<b>Category</b>	Electrical Connectors	<b>Model / SKU</b>	10A-16A-Marine-Brass-Switch
<b>Standard</b>	EN	<b>Material</b>	Brass
<b>Weight / Size</b>	<p>HH 10A/16A Marine Brass Switch            Technical Specification Voltage            24V 125V 250V 380V/440V            380V/440V Code 1133 General            Cable Type HH101-1 HH101-2            HH101-3 HH101-4 HH101-5            Shield Cable Type HH111-1            HH111-2 HH111-3 HH111-4            HH111-5 Weight 0.8kgs Voltage            24V 125V 250V 380V/440V            380V/440V Code 1133/D General            Cable Type HH201-1 HH201-2            HH201-3 HH201-4 HH201-5            Shield Cable Type HH211-1            HH211-2 HH211-3 HH211-4            HH211-5 Weight 1.0kgs Voltage            24V 125V 250V 380V/440V            380V/440V Code 1133/2 General            Cable Type HH202-1 HH202-2            HH202-3 HH202-4 HH202-5            Shield Cable Type HH212-1            HH212-2 HH212-3 HH212-4            HH212-5 Weight 1.0kgs Voltage            24V 125V 250V 380V/440V            380V/440V Code 1133/3 General            Cable Type HH302-1 HH302-2            HH302-3 HH302-4 HH302-5            Shield Cable Type HH312-1            HH312-2 HH312-3 HH312-4            HH312-5 Weight 1.1kgs Voltage            24V 125V 250V 380V/440V            380V/440V Code 1133/2D General            Cable Type HH402-1 HH402-2            HH402-3 HH402-4 HH402-5            Shield Cable Type HH412-1            HH412-2 HH412-3 HH412-4            HH412-5 Weight 1.1kgs Marine            Brass Switch HH202-3</p>	<b>Certificate</b>	ABS, LR, BV, DNVGL, NK, KR, IRS, RMRS, CCS
<b>Warranty</b>	12 Months unless specified otherwise	<b>Origin</b>	China

## Technical Specification





Voltage	24V	125V	250V	380V/440V	380V/440V
Code	1133				
General Cable Type	HH101-1	HH101-2	HH101-3	HH101-4	HH101-5
Shield Cable Type	HH111-1	HH111-2	HH111-3	HH111-4	HH111-5
Weight	0.8kgs				
Voltage	24V	125V	250V	380V/440V	380V/440V
Code	1133/D				
General Cable Type	HH201-1	HH201-2	HH201-3	HH201-4	HH201-5
Shield Cable Type	HH211-1	HH211-2	HH211-3	HH211-4	HH211-5
Weight	1.0kgs				
Voltage	24V	125V	250V	380V/440V	380V/440V
Code	1133/2				
General Cable Type	HH202-1	HH202-2	HH202-3	HH202-4	HH202-5
Shield Cable Type	HH212-1	HH212-2	HH212-3	HH212-4	HH212-5
Weight	1.0kgs				
Voltage	24V	125V	250V	380V/440V	380V/440V
Code	1133/3				
General Cable Type	HH302-1	HH302-2	HH302-3	HH302-4	HH302-5
Shield Cable Type	HH312-1	HH312-2	HH312-3	HH312-4	HH312-5
Weight	1.1kgs				
Voltage	24V	125V	250V	380V/440V	380V/440V
Code	1133/2D				
General Cable Type	HH402-1	HH402-2	HH402-3	HH402-4	HH402-5
Shield Cable Type	HH412-1	HH412-2	HH412-3	HH412-4	HH412-5
Weight	1.1kgs				

Marine Brass Switch HH202-3





