

# Jinbo Marine

Marine &amp; Offshore Equipment Datasheet

PRODUCT DATASHEET

## ELECTRICAL CONNECTORS

## 10A Marine nylon junction box

&nbsp; Protection class IP56 Adopted Standard DIN89250 ...

ISO9001 Supplier

Class Certificate

Export Supply



### Key Highlights

<b>Category</b>	Electrical Connectors
<b>Standard</b>	DIN
<b>Material</b>	Nylon
<b>Weight / Size</b>	Protection class IP56 Adopted Standard DIN89250 Code 1151/FS Type JX...
<b>Certificate</b>	ABS, LR, BV, DNVGL, NK, KR, IRS, RMRS, CCS

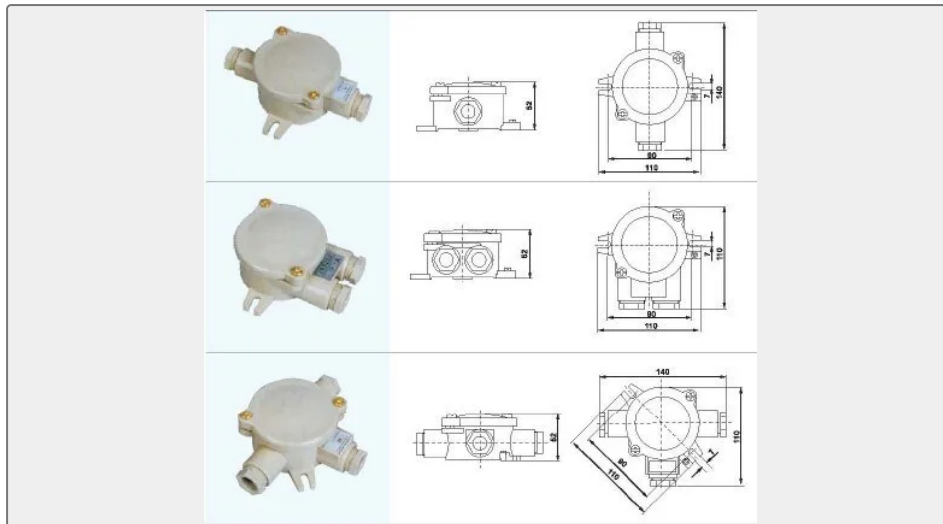
We can supply according to your requirement, drawings, class certificate needs, and delivery schedule.

### Technical Specifications

<b>Category</b>	Electrical Connectors	<b>Model / SKU</b>	10A-Marine-nylon-junction-box
<b>Standard</b>	DIN	<b>Material</b>	Nylon
<b>Weight / Size</b>	Protection class IP56 Adopted Standard DIN89250 Code 1151/FS Type JXS201 Weight 0.20KG Code 1150/FS Type JXS202 Weight 0.20KG Code 1152/FS Type JXS301 Weight 0.21KG	<b>Certificate</b>	ABS, LR, BV, DNVGL, NK, KR, IRS, RMRS, CCS
<b>Warranty</b>	12 Months unless specified otherwise	<b>Origin</b>	China

 0.039689s

## China 10A Marine nylon junction box:



Protection class	IP56
Adopted Standard	DIN89250

Code 1151/FS	
Type	JXS201
Weight	0.20KG

Code 1150/FS	
Type	JXS202
Weight	0.20KG

Code 1152/FS	
Type	JXS301
Weight	0.21KG