

# Jinbo Marine

Marine & Offshore Equipment Datasheet

PRODUCT DATASHEET

CHAIN CHASER

## 110Ton J Chain Chaser

We supply the 100Ton J chasers with BV Certificate and Mill Certificate to Malaysia, Indonesia, Safety, High Quality and Fast Delivery, please feel free to contact us if you have inquiry. Except 110Ton J Chaser Hoo...

ISO9001 Supplier

Class Certificate

Export Supply



### Key Highlights

|               |                   |
|---------------|-------------------|
| Category      | Chain Chaser      |
| Material      | Casting Steel     |
| Weight / Size | 1347.5 KN WEIGHT: |
| Certificate   | Mil Certificate   |

We can supply according to your requirement, drawings, class certificate needs, and delivery schedule.

### Technical Specifications

|             |                 |               |                                      |
|-------------|-----------------|---------------|--------------------------------------|
| Category    | Chain Chaser    | Model / SKU   | 110Ton-J-Chain-Chaser                |
| Material    | Casting Steel   | Weight / Size | 1347.5 KN WEIGHT:                    |
| Certificate | Mil Certificate | Warranty      | 12 Months unless specified otherwise |
| Origin      | China           |               |                                      |

CONTENTS

- China 110Ton J Chain Chaser:
- 110T J Chaser Specification
- 110T J Chaser Drawing
- 110Ton BV Approved Chain Chaser and Grapnel

### China 110Ton J Chain Chaser:

We supply the 100Ton J chasers with BV Certificate and Mill Certificate to Malaysia, Indonesia, Safety, High Quality and Fast Delivery, please feel free to contact us if you have inquiry.

Except 110Ton J Chaser Hook, we also can supply 200T, 250T capacity.



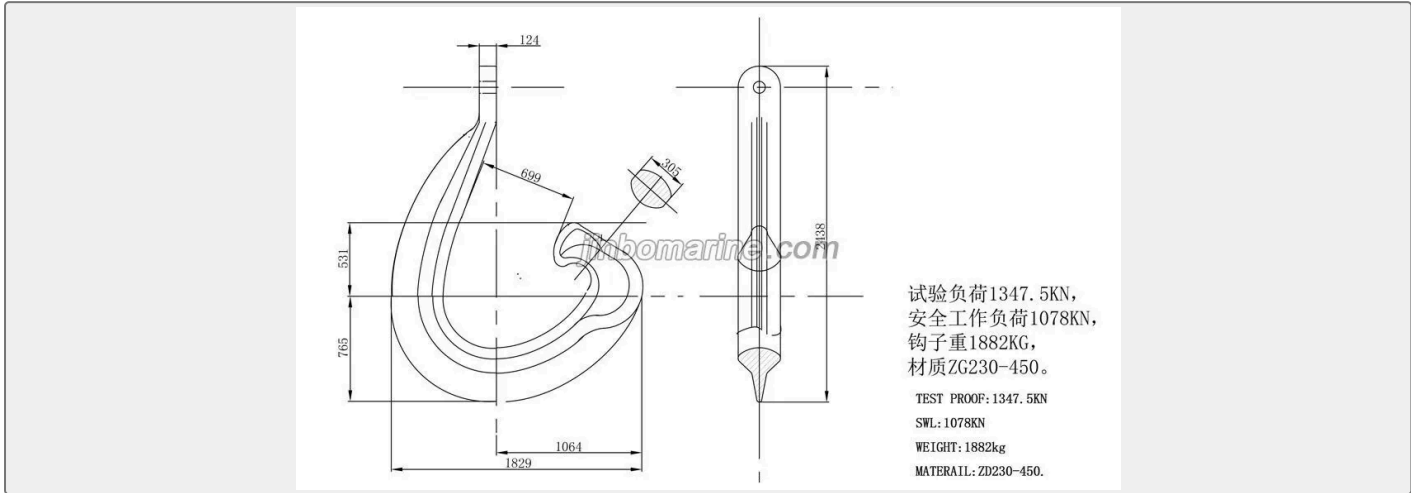
## 110T J Chaser Specification

TEST PROOF LOAD: 1347.5 KN

WEIGHT: 1882 KG

MATERIAL: ZG230-450

## 110T J Chaser Drawing



## 110Ton BV Approved Chain Chaser and Grapnel

