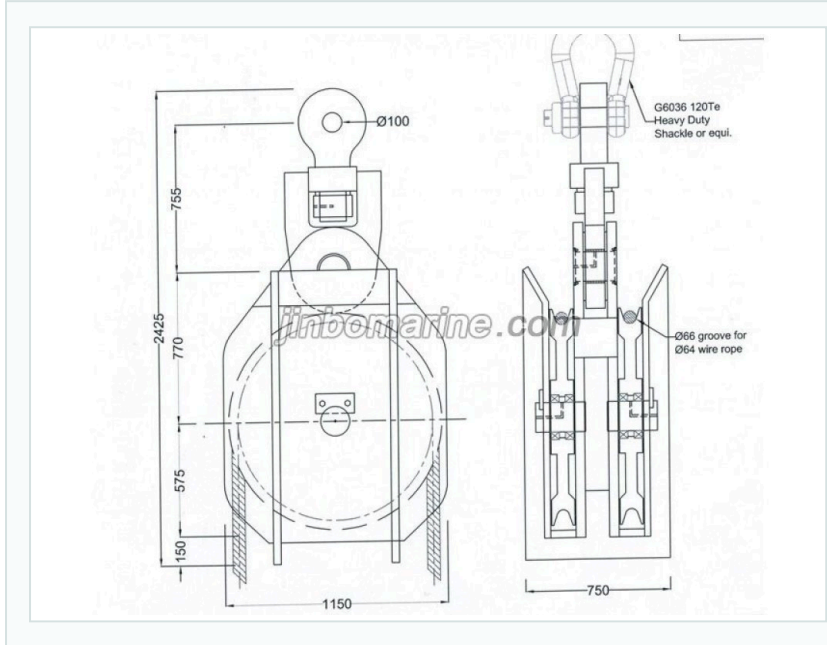


JIS STEEL CARGO BLOCK

120T Open Snatch Block

Components of 120T Snatch Block Side Plate 5mm Sheave Axle Dia150mm Head fitting axle Dia 150mm Sheave dia110mm Head Fitting, Swivel Head 140mm Bearing/Bushing Painting Specifica...

- ISO9001 Supplier
- Class Certificate
- Export Supply



Key Highlights

Category	JIS Steel Cargo Block
Standard	EN
Material	Alloy Steel
Certificate	ABS, LR, BV, DNVGL, NK, KR, IRS, RMRS, CCS

We can supply according to your requirement, drawings, class certificate needs, and delivery schedule.

Technical Specifications

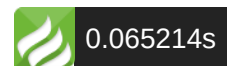
Category	JIS Steel Cargo Block	Model / SKU	120T-Open-Snatch-Block
Standard	EN	Material	Alloy Steel
Surface	Components of 120T Snatch Block Side Plate 5mm Sheave Axle Dia150mm Head fitting axle Dia 150mm Sheave dia110mm Head Fitting, Swivel Head 140mm Bearing/Bushing Painting Specification 1.	Certificate	ABS, LR, BV, DNVGL, NK, KR, IRS, RMRS, CCS
Warranty	12 Months unless specified otherwise	Origin	China

CONTENTS

- China 120T Open Snatch Block:
- Painting Specification

China 120T Open Snatch Block:

Components of 120T Snatch Block



Side Plate 5mm

Sheave Axle Dia150mm

Head fitting axle Dia 150mm

Sheave dia110mm

Head Fitting, Swivel Head 140mm

Bearing/Bushing

Painting Specification

1. Blast to SA2.5
2. Zinc Rich Primer
3. Epoxy Intermediate Coat
4. Urethane Top Coat