

Jinbo Marine

Marine & Offshore Equipment Datasheet

PRODUCT DATASHEET

MARINE STOCKLESS ANCHOR

1290KGS JIS Stockless Anchor

Material: Casting Steel Weight: 1290KGS Certificate: CCS, ABS,LR,BV,DNVGL,NK Finish: Black Paining 1290KS JIS Stockless Anchor Size and Photo What We Do? We supp...

ISO9001 Supplier

Class Certificate

Export Supply



Key Highlights

Category	Marine Stockless Anchor
Standard	JIS
Material	Casting Steel
Weight / Size	Casting Steel Weight:
Certificate	ABS, LR, BV, DNVGL, NK, KR, IRS, RMRS, CCS

We can supply according to your requirement, drawings, class certificate needs, and delivery schedule.

Technical Specifications

Category	Marine Stockless Anchor	Model / SKU	1290KGS-JIS-Stockless-Anchor
Standard	JIS	Material	Casting Steel
Weight / Size	Casting Steel Weight:	Surface	CCS, ABS,LR,BV,DNVGL,NK Finish:
Certificate	ABS, LR, BV, DNVGL, NK, KR, IRS, RMRS, CCS	Warranty	12 Months unless specified otherwise
Origin	China		

CONTENTS

- China 1290KGS JIS Stockless Anchor:
- 1290KS JIS Stockless Anchor Size and Photo
- What We Do?

China 1290KGS JIS Stockless Anchor:

Material: Casting Steel

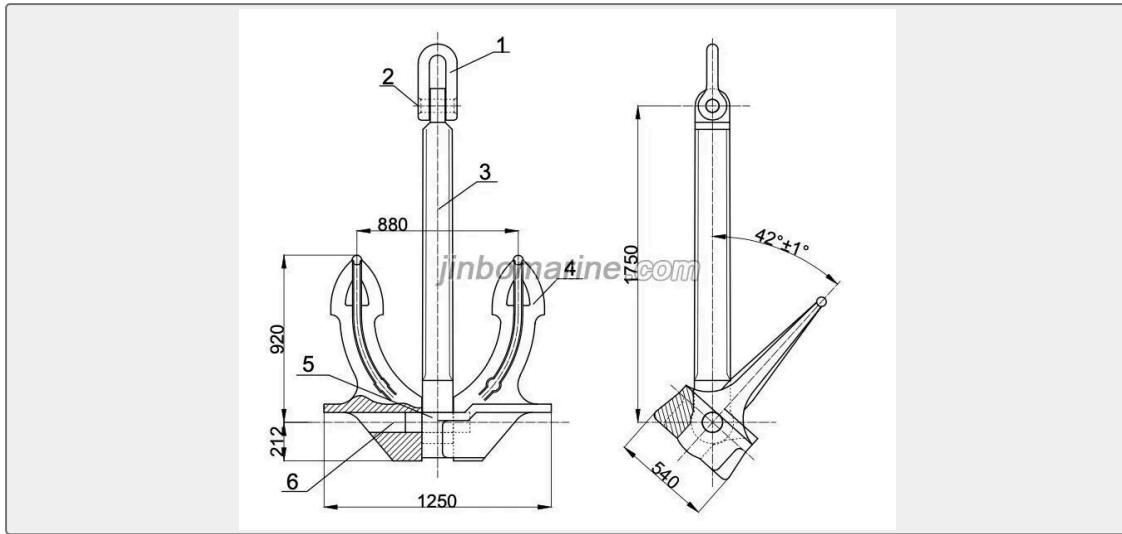
Weight: 1290KGS

Certificate: CCS, ABS,LR,BV,DNVGL,NK



Finish: Black Paining

1290KS JIS Stockless Anchor Size and Photo



What We Do?

We supply all kinds of marine and offshore equipment and fittings for various vessels including VLCC, FSO, FPSO, LNGC, LPGC, Container Ships, Cargo Liners, Bulk Carriers, Oil Tankers and oil platform, from securing the order to final delivery, we work hard to make sure everything goes as required and with high standard quality.