

Jinbo Marine

Marine & Offshore Equipment Datasheet

PRODUCT DATASHEET

YD MARINE WIRED TALK-BACK

12Fx-6 Marine Wired Intercom Power Pack

ISO9001 Supplier

Class Certificate

Export Supply

12Fx-6 Marine Wired Intercom Power Pack 1)DNV RULES FOR CLASSIFICATION SHIPS.
2)DNV-CG-0339:2021 Environmental test specification for electrical, electronic and programmable equipment and systems 3)IEC 60945:2002...



Key Highlights

Category	YD Marine Wired Talk-Back
Standard	EN
Material	IP44 Hull Material:
Certificate	ABS, LR, BV, DNVGL, NK, KR, IRS, RMRS, CCS

We can supply according to your requirement, drawings, class certificate needs, and delivery schedule.

Technical Specifications

Category	YD Marine Wired Talk-Back	Model / SKU	12Fx-6-Marine-Wired-Intercom-Power-Pack
Standard	EN	Material	IP44 Hull Material:
Certificate	ABS, LR, BV, DNVGL, NK, KR, IRS, RMRS, CCS	Warranty	12 Months unless specified otherwise
Origin	China		

China 12Fx-6 Marine Wired Intercom Power Pack:

12Fx-6 Marine Wired Intercom Power Pack

1)DNV RULES FOR CLASSIFICATION SHIPS.

2)DNV-CG-0339:2021 Environmental test specification for electrical, electronic and programmable equipment and systems

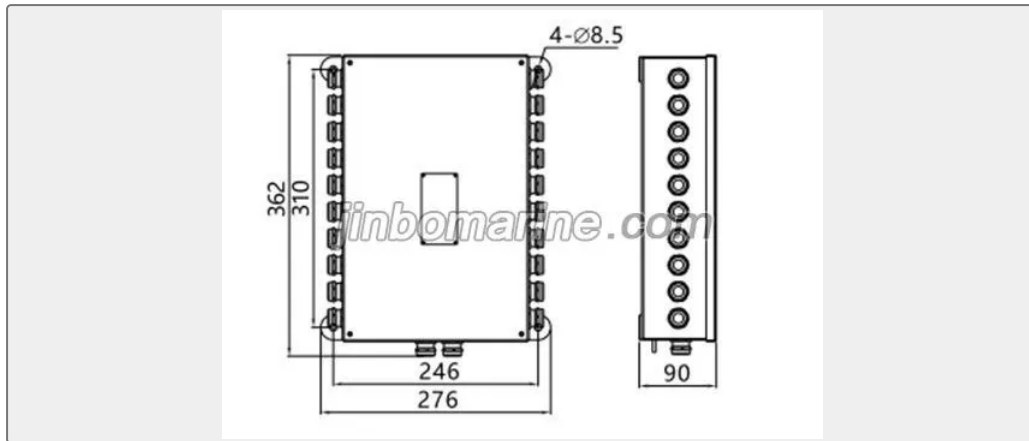
3)IEC 60945:2002 "Marine Navigation and Radio Communication Equipment and Systems - General Requirements - Test Methods and Test Result Requirements"



4)IMO Resolution A.1021 (26) "2009 Alert Indicators and Indicators Rules"

5)IEC 60092-504:2016 "Marine Electrical Equipment Part 504: Special Sections Control and Instruments"

6)IACS UR E10 Rev.7 "Test Specifications for Type Approval of Electrical and Electronic Equipment"



Colour: RAL7035

IP rating: IP44

Hull Material: Q235B

Cable gland: 22xM20x1.5(7~14mm)