

# Jinbo Marine

Marine &amp; Offshore Equipment Datasheet

PRODUCT DATASHEET

## ALARM INDICATOR SYSTEM

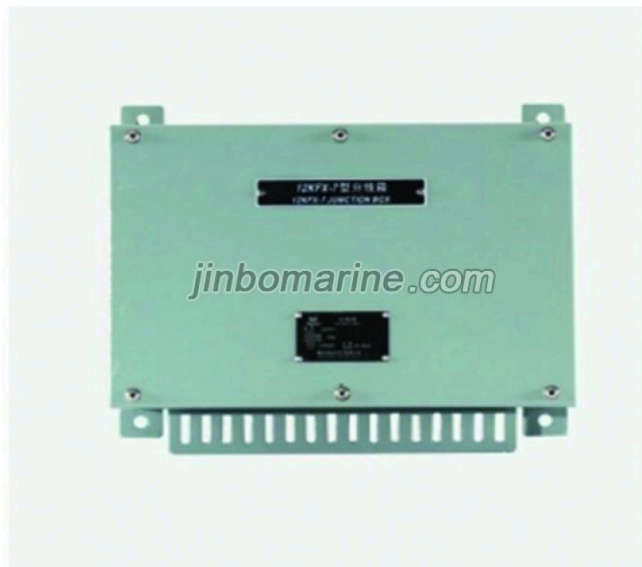
## 12KFX-7 Junction Box

12KFX-7 Junction Box Color: Green gray ( RAL6034 ) IP class:IP22/IP44 Weight:3.5Kg

ISO9001 Supplier

Class Certificate

Export Supply



### Key Highlights

Category	Alarm Indicator System
Standard	EN
Weight / Size	Green gray ( RAL6034 ) IP class:IP22/IP44 Weight:3.5Kg
Certificate	ABS, LR, BV, DNVGL, NK, KR, IRS, RMRS, CCS

We can supply according to your requirement, drawings, class certificate needs, and delivery schedule.

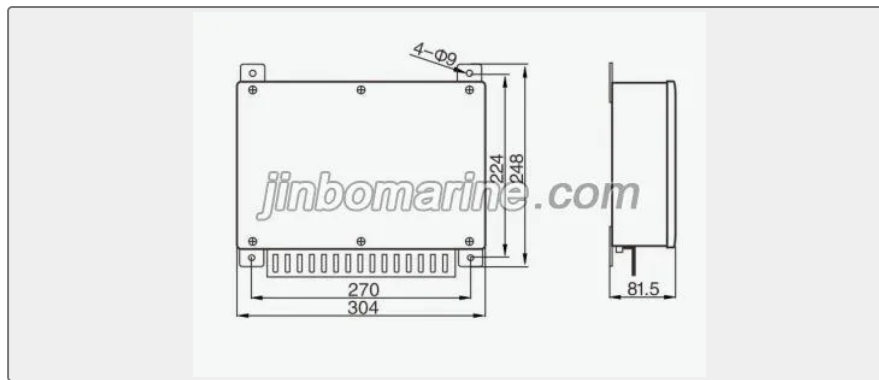
### Technical Specifications

Category	Alarm Indicator System	Model / SKU	12KFX-7-Junction-Box
Standard	EN	Weight / Size	Green gray ( RAL6034 ) IP class:IP22/IP44 Weight:3.5Kg
Certificate	ABS, LR, BV, DNVGL, NK, KR, IRS, RMRS, CCS	Warranty	12 Months unless specified otherwise
Origin	China		

### China 12KFX-7 Junction Box:

12KFX-7 Junction Box





Color: Green gray ( RAL6034 )

IP class:IP22/IP44

Weight:3.5Kg