

Jinbo Marine

Marine & Offshore Equipment Datasheet

PRODUCT DATASHEET

HIGH HOLDING POWER ANCHOR

1300KGS D-Hone Anchor

Material: Anchor Head-High Strength Steel, Anchor Shank- Casting Steel Weight: 1300KGS
 Finish: Black Painting Certificate: BV,ABS,LR,DNVGL,NK,RINA,CCS 1300KGS D-Hone
 Anchor Size and Photos ...

ISO9001 Supplier

Class Certificate

Export Supply



Key Highlights

Category	High Holding Power Anchor
Standard	EN
Material	Material:
Weight / Size	Anchor Head-High Strength Steel, Anchor Shank- Casting Steel Weight:
Certificate	BV Certificate

We can supply according to your requirement, drawings, class certificate needs, and delivery schedule.

Technical Specifications

Category	High Holding Power Anchor	Model / SKU	1300KGS-D-Hone-Anchor
Standard	EN	Material	Material:
Weight / Size	Anchor Head-High Strength Steel, Anchor Shank- Casting Steel Weight:	Surface	Black Painting
Certificate	BV Certificate	Warranty	12 Months unless specified otherwise
Origin	China		

CONTENTS

- China 1300KGS D-Hone Anchor:
- 1300KGS D-Hone Anchor Size and Photos
- Our Service

China 1300KGS D-Hone Anchor:

Material: Anchor Head-High Strength Steel, Anchor Shank- Casting Steel

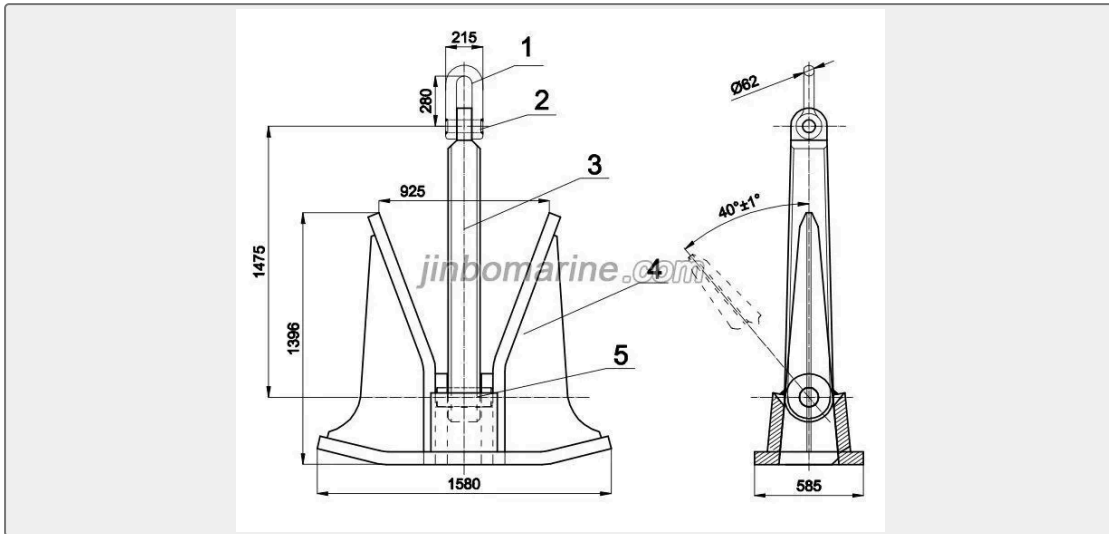
Weight: 1300KGS



Finish: Black Painting

Certificate: BV,ABS,LR,DNVGL,NK,RINA,CCS

1300KGS D-Hone Anchor Size and Photos



Our Service

1. 100% factory tested before shipment.
2. Any Inquiries will be replied within 24 hours.
3. Supply of chemicals,filter elements,membranes and other consumable spare parts.
4. One year quality warranty unless specified otherwise.
5. Professional and reliable supplier.
6. Good After Sale Service:
 - 1).All products will have been strictly Quality Checked before packing.
 - 2).All products will be well packed before shipping.
7. Fast delivery.

