

Jinbo Marine

Marine & Offshore Equipment Datasheet

PRODUCT DATASHEET

ANCHOR CHAIN

140mm End Joining Shackle

Material: Fine Gain Heat Treated Alloy Steel Grade: U3 Proof Load:200Ton 140mm End Joining Shackle Size ABS Inspection

ISO9001 Supplier

Class Certificate

Export Supply



Key Highlights

Category	Anchor Chain
Standard	EN
Material	Material:
Weight / Size	U3 Proof Load:200Ton 140mm End Joining Shackle Size ABS Inspection
Certificate	ABS, LR, BV, DNVGL, NK, KR, IRS, RMRS, CCS

We can supply according to your requirement, drawings, class certificate needs, and delivery schedule.

Technical Specifications

Category	Anchor Chain	Model / SKU	140mm-End-Joining-Shackle
Standard	EN	Material	Material:
Weight / Size	U3 Proof Load:200Ton 140mm End Joining Shackle Size ABS Inspection	Certificate	ABS, LR, BV, DNVGL, NK, KR, IRS, RMRS, CCS
Warranty	12 Months unless specified otherwise	Origin	China

CONTENTS

- China 140mm End Joining Shackle:

- 140mm End Joining Shackle Size

China 140mm End Joining Shackle:

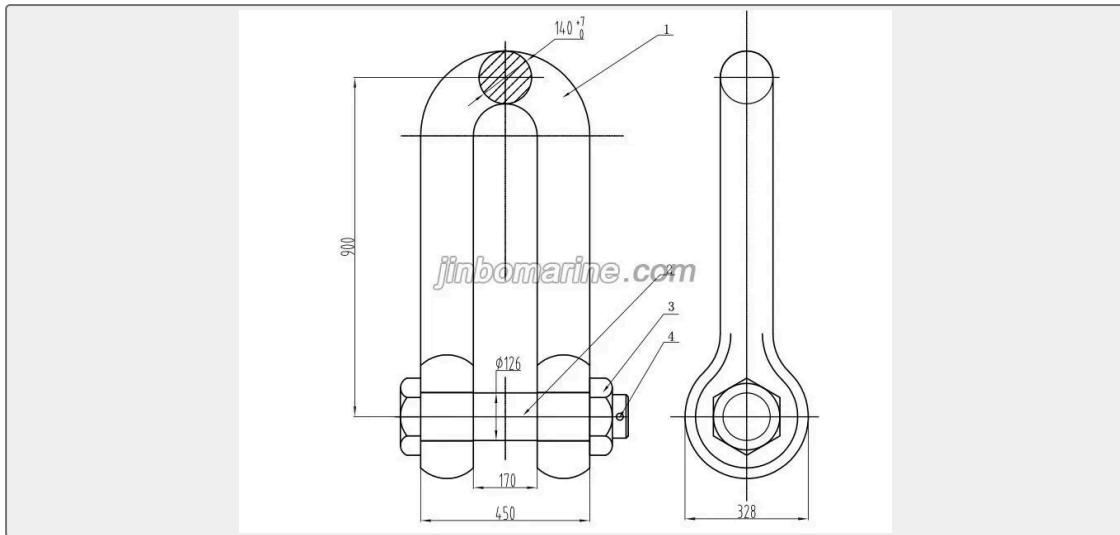
Material: Fine Gain Heat Treated Alloy Steel

Grade: U3

Proof Load:200Ton



140mm End Joining Shackle Size



ABS Inspection

