

Jinbo Marine

Marine & Offshore Equipment Datasheet

PRODUCT DATASHEET

MOORING LINE

165T Mandal Fairlead Shackle

Material: Stainless Steel Breaking Load: 165Ton Proof Load: 110Ton. Shipping & Packing: 1.Shipping by sea or air,or as your request. 2.Standard Export Packing.

ISO9001 Supplier

Class Certificate

Export Supply



Key Highlights

Category	Mooring Line
Standard	2.Standard Export Packing.
Material	Material:
Certificate	ABS, LR, BV, DNVGL, NK, KR, IRS, RMRS, CCS

We can supply according to your requirement, drawings, class certificate needs, and delivery schedule.

Technical Specifications

Category	Mooring Line	Model / SKU	165T-Mandal-Fairlead-Shackle
Standard	2.Standard Export Packing.	Material	Material:
Certificate	ABS, LR, BV, DNVGL, NK, KR, IRS, RMRS, CCS	Warranty	12 Months unless specified otherwise
Origin	China		

CONTENTS

- China 165T Mandal Fairlead Shackle:

- Shipping & Packing

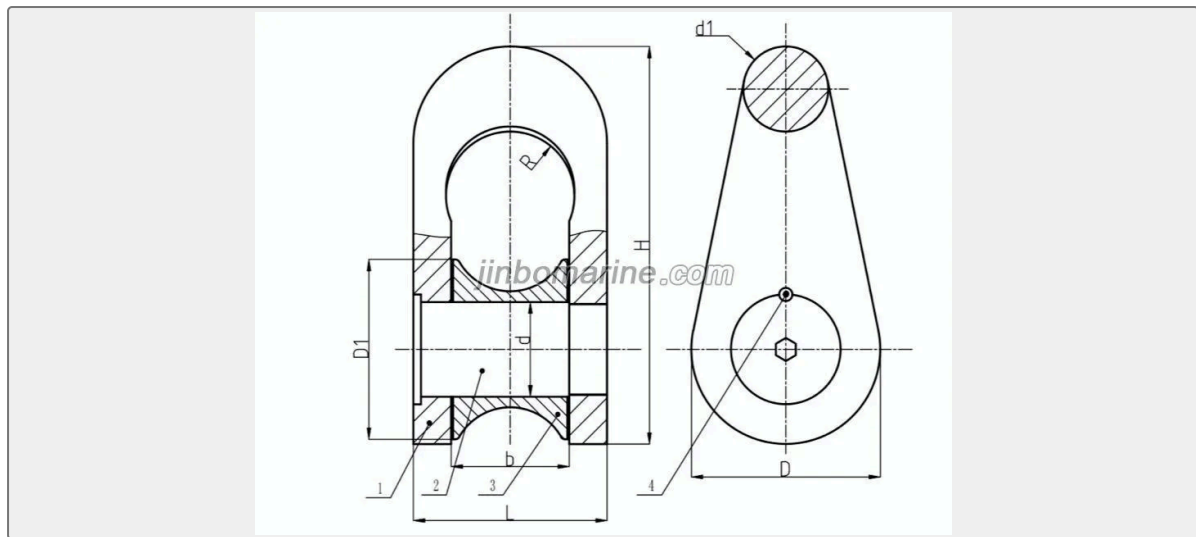
China 165T Mandal Fairlead Shackle:

Material: Stainless Steel

Breaking Load: 165Ton

Proof Load: 110Ton.





Shipping & Packing

1. Shipping by sea or air, or as your request.
2. Standard Export Packing.