

MOORING LINE

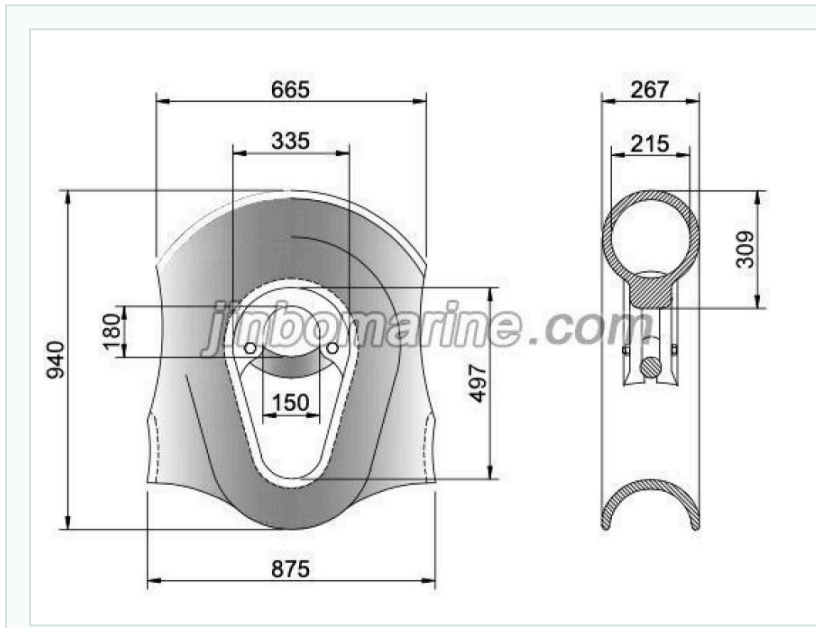
# 19inch-21inch Cast Steel Thimble Type K14

ISO9001 Supplier

Class Certificate

Export Supply

Material: Cast steel/ Stainless steel Finish: Galvanised (mild steel)/Self coloured (stainless steel) Weight: 315KGS



### Key Highlights

Category	Mooring Line
Material	Material:
Weight / Size	Galvanised (mild steel)/Self coloured (stainless steel) Weight:
Certificate	ABS, LR, BV, DNVGL, NK, KR, IRS, RMRS, CCS

We can supply according to your requirement, drawings, class certificate needs, and delivery schedule.

### Technical Specifications

Category	Mooring Line	Model / SKU	19-21-CAST-STEEL-THIMBLE-TYPE-K14
Material	Material:	Weight / Size	Galvanised (mild steel)/Self coloured (stainless steel) Weight:
Surface	Cast steel/ Stainless steel Finish:	Certificate	ABS, LR, BV, DNVGL, NK, KR, IRS, RMRS, CCS
Warranty	12 Months unless specified otherwise	Origin	China

## China 19inch-21inch Cast Steel Thimble Type K14:

Material:  
Cast steel/ Stainless steel

Finish:  
Galvanised (mild steel)/Self coloured (stainless steel)

Weight: 315KGS



