

Jinbo Marine

Marine & Offshore Equipment Datasheet

PRODUCT DATASHEET

VORTEX PUMP

1WZ-0.9Z marine direct connected self-priming vortex pump

ISO9001 Supplier

Class Certificate

Export Supply

Description: The pump is a single-stage single suction cantilever vortex pump, which is suitable for ships to transport seawater and fresh water without solid particles and impurities.

Installation siz...



Key Highlights

Category	Vortex Pump
Weight / Size	Installation size of 1WZ-0.9 & 1WZ-0.9Z:
Certificate	ABS, LR, BV, DNVGL, NK, KR, IRS, RMRS, CCS

We can supply according to your requirement, drawings, class certificate needs, and delivery schedule.

Technical Specifications

Category	Vortex Pump	Model / SKU	1WZ-0-9Z-marine-direct-connected-self-priming-vortex-pump
Weight / Size	Installation size of 1WZ-0.9 & 1WZ-0.9Z:	Certificate	ABS, LR, BV, DNVGL, NK, KR, IRS, RMRS, CCS
Warranty	12 Months unless specified otherwise	Origin	China

CONTENTS

 Description:

 Data Sheet:

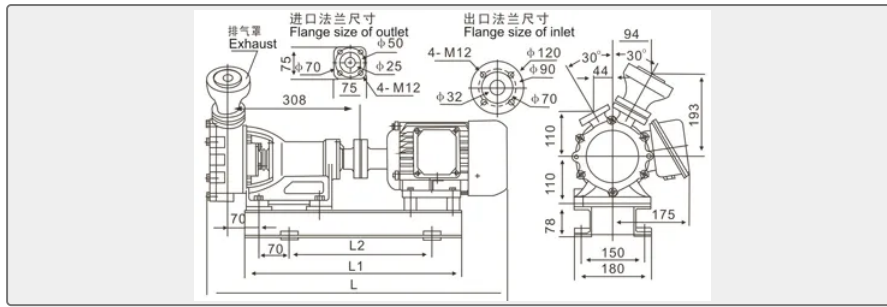
Description:

The pump is a single-stage single suction cantilever vortex pump, which is suitable for ships to transport seawater and fresh water without solid particles and impurities.

Installation size of 1WZ-0.9 & 1WZ-0.9Z:



0.071018s



Data Sheet:

Type	Capacity	Head	Speed	NPSHr	Motor Power
	m ³ /h	m	r/min	m	kw
1WZ-0.9	1	37	1400	3.5	1.5
	1.8	25.5			
	2.5	15			
1WZ-0.9(Z)	1	37	1400	3.5	1.5
	1.8	25.5			
	2.5	15			
1WZ-3	3	10	1450	3.5	0.75
1WZ-3(Z)	3	10	1450	3.5	0.75