

## VORTEX PUMP

# 1WZ-3 marine direct connected self-priming vortex pump

ISO9001 Supplier

Class Certificate

Export Supply

Description: The pump is a single-stage single suction cantilever vortex pump, which is suitable for ships to transport seawater and fresh water without solid particles and impurities.  
Installation size of 1W...



## Key Highlights

Category	Vortex Pump
Weight / Size	Installation size of 1WZ-3 and 1WZ-3Z:
Certificate	ABS, LR, BV, DNVGL, NK, KR, IRS, RMRS, CCS

We can supply according to your requirement, drawings, class certificate needs, and delivery schedule.

## Technical Specifications

Category	Vortex Pump	Model / SKU	1WZ-3-marine-direct-connected-self-priming-vortex-pump
Weight / Size	Installation size of 1WZ-3 and 1WZ-3Z:	Certificate	ABS, LR, BV, DNVGL, NK, KR, IRS, RMRS, CCS
Warranty	12 Months unless specified otherwise	Origin	China

### CONTENTS

 Description:

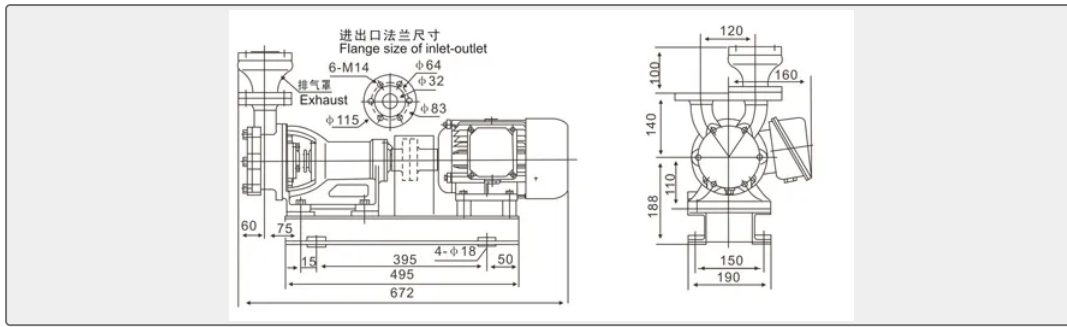
 Technical data:

## Description:

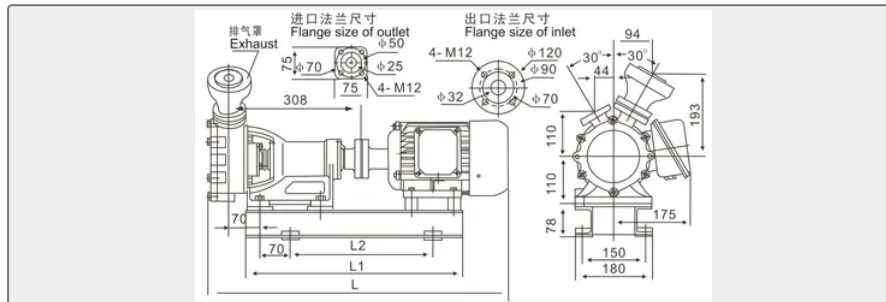
The pump is a single-stage single suction cantilever vortex pump, which is suitable for ships to transport seawater and fresh water without solid particles and impurities.

**Installation size of 1WZ-3 and 1WZ-3Z:**





### Installation size of 1WZ-0.9 and 1WZ-0.9Z:



### Technical data:

Type	Capacity	Head	Speed	NPSHr	Motor Power
	m <sup>3</sup> /h	m	r/min	m	kw
1WZ-0.9	1	37	1400	3.5	1.5
	1.8	25.5			
	2.5	15			
1WZ-0.9(Z)	1	37	1400	3.5	1.5
	1.8	25.5			
	2.5	15			
1WZ-3	3	10	1450	3.5	0.75
1WZ-3(Z)	3	10	1450	3.5	0.75