

Jinbo Marine

Marine & Offshore Equipment Datasheet

PRODUCT DATASHEET

MARINE BATTERYLESS TELEPHONE SYSTEM

24KS-CZX Batteryless Telephone Socket Box

ISO9001 Supplier

Class Certificate

Export Supply

24KS-CZX Batteryless Telephone Socket Box; It can be used matching with portable batteryless telephone Color: Sea gray (B05) IP class:IP56 Weight:5.0Kg Stuffing box cable e...



Key Highlights

Category	Marine Batteryless Telephone System
Standard	EN
Weight / Size	Sea gray (B05) IP class:IP56 Weight:5.0Kg Stuffing box cable entrance hol...
Certificate	ABS, LR, BV, DNVGL, NK, KR, IRS, RMRS, CCS

We can supply according to your requirement, drawings, class certificate needs, and delivery schedule.

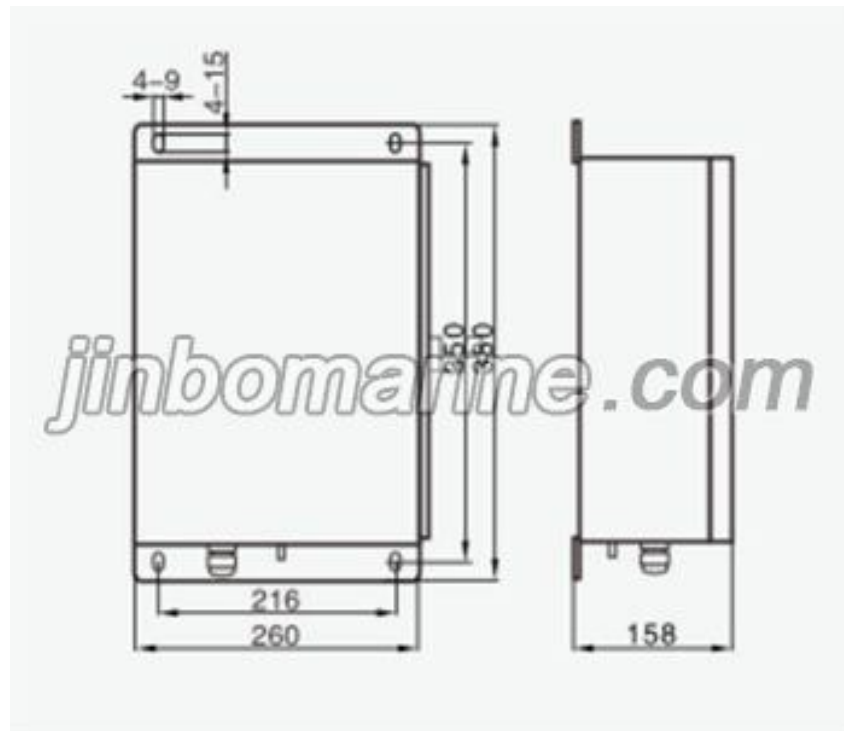
Technical Specifications

Category	Marine Batteryless Telephone System	Model / SKU	24KS-CZX-Batteryless-Telephone-Socket-Box
Standard	EN	Weight / Size	Sea gray (B05) IP class:IP56 Weight:5.0Kg Stuffing box cable entrance hole size:
Certificate	ABS, LR, BV, DNVGL, NK, KR, IRS, RMRS, CCS	Warranty	12 Months unless specified otherwise
Origin	China		

China 24KS-CZX Batteryless Telephone Socket Box:

24KS-CZX Batteryless Telephone Socket Box





It can be used matching with portable batteryless telephone

Color: Sea gray (B05)

IP class:IP56

Weight:5.0Kg

Stuffing box cable entrance hole size: 2-Φ18mm