

Jinbo Marine

Marine & Offshore Equipment Datasheet

PRODUCT DATASHEET


MARINE KITCHEN GALLEY

2500A Marine Bone Sawing Machine

2500A Marine Bone Sawing Machine 1. Stainless steel body, stainless steel work surface 2. The saw blade adopts flywheel locking and powerful spring soothing design 3. High work efficiency, low energy consumption,...

- ISO9001 Supplier
- Class Certificate
- Export Supply

	<h3 style="margin: 0;">Key Highlights</h3> <table border="1" style="width: 100%; border-collapse: collapse; margin-top: 10px;"> <tr> <td style="background-color: #1a3d4d; color: white; padding: 5px;">Category</td> <td style="padding: 5px;">Marine Kitchen Galley</td> </tr> <tr> <td style="background-color: #1a3d4d; color: white; padding: 5px;">Standard</td> <td style="padding: 5px;">EN</td> </tr> <tr> <td style="background-color: #1a3d4d; color: white; padding: 5px;">Material</td> <td style="padding: 5px;">SS</td> </tr> <tr> <td style="background-color: #1a3d4d; color: white; padding: 5px;">Weight / Size</td> <td style="padding: 5px;">Equipped with stainless steel adjustable feet for easy installation on b...</td> </tr> <tr> <td style="background-color: #1a3d4d; color: white; padding: 5px;">Certificate</td> <td style="padding: 5px;">ABS, LR, BV, DNVGL, NK, KR, IRS, RMRS, CCS</td> </tr> </table> <p style="font-size: small; margin-top: 10px;">We can supply according to your requirement, drawings, class certificate needs, and delivery schedule.</p>	Category	Marine Kitchen Galley	Standard	EN	Material	SS	Weight / Size	Equipped with stainless steel adjustable feet for easy installation on b...	Certificate	ABS, LR, BV, DNVGL, NK, KR, IRS, RMRS, CCS
Category	Marine Kitchen Galley										
Standard	EN										
Material	SS										
Weight / Size	Equipped with stainless steel adjustable feet for easy installation on b...										
Certificate	ABS, LR, BV, DNVGL, NK, KR, IRS, RMRS, CCS										

Technical Specifications			
Category	Marine Kitchen Galley	Model / SKU	2500A-Marine-Bone-Sawing-Machine
Standard	EN	Material	SS
Weight / Size	Equipped with stainless steel adjustable feet for easy installation on board 2500A Marine Bone Sawing Machine Drawing 2500A Marine Bone Sawing Machine Parameters Model 2000A 2500A JG210A Voltage 220v-1PH-50Hz/60Hz Power(kw) 1.1 1.5 0.93 Size(mm) 690X620X880 630X630X690 610X530X1385 Weight(kg) 40 60 70	Surface	Stainless steel body, stainless steel work surface 2.
Certificate	ABS, LR, BV, DNVGL, NK, KR, IRS, RMRS, CCS	Warranty	12 Months unless specified otherwise
Origin	China	 0.070742s	

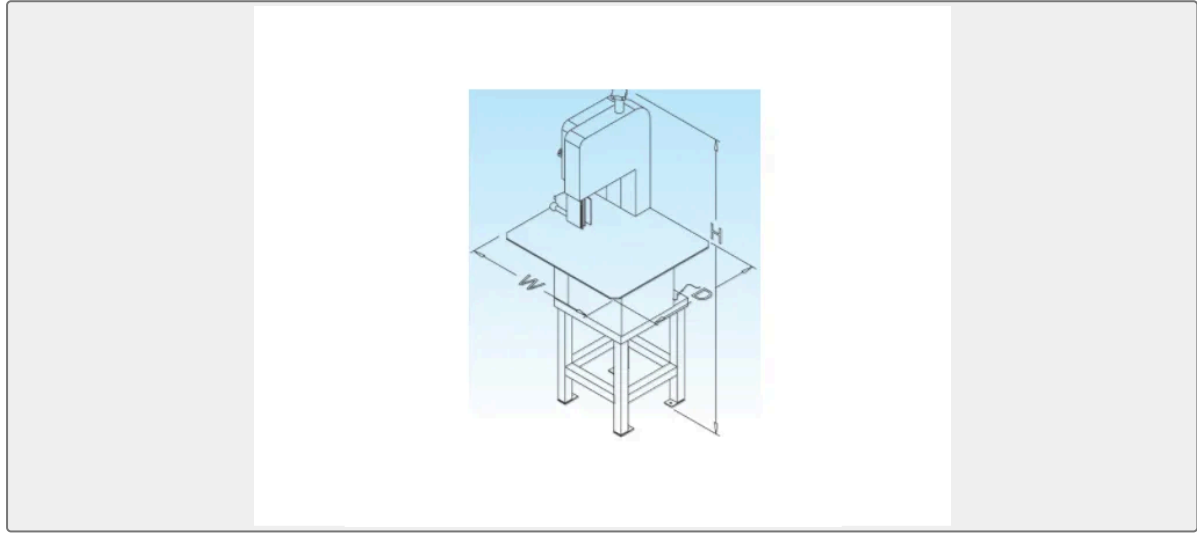
CONTENTS

- 2500A Marine Bone Sawing Machine
- 2500A Marine Bone Sawing Machine Drawing
- 2500A Marine Bone Sawing Machine Parameters

2500A Marine Bone Sawing Machine

1. Stainless steel body, stainless steel work surface
2. The saw blade adopts flywheel locking and powerful spring soothing design
3. High work efficiency, low energy consumption, safe and convenient operation
4. Equipped with stainless steel adjustable feet for easy installation on board

2500A Marine Bone Sawing Machine Drawing



2500A Marine Bone Sawing Machine Parameters

Model	2000A	2500A	JG210A
Voltage	220v-1PH-50Hz/60Hz		
Power(kw)	1.1	1.5	0.93
Size(mm)	690X620X880	630X630X690	610X530X1385
Weight(kg)	40	60	70