

CENTRIFUGAL PUMP

25CYZ-A-20 Self-suction Centrifugal Oil Pump

ISO9001 Supplier

Class Certificate

Export Supply

25CYZ-A-20 Self-suction Centrifugal Oil Pump 1. Product overview: The CYZ-A self-suction centrifugal oil pump produced in this unit is widely suitable for the latest pump products developed by digestio...



Key Highlights

Category	Centrifugal Pump
Standard	EN
Material	, Oil trucks, airports, transport gasoline, kerosene, diesel, aviation c...
Weight / Size	Model Flow Lift Suction Height Self-priming time Speed(r/min) Power(KW) ...
Certificate	ABS, LR, BV, DNVGL, NK, KR, IRS, RMRS, CCS

We can supply according to your requirement, drawings, class certificate needs, and delivery schedule.

Technical Specifications

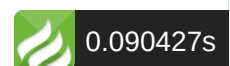
Category	Centrifugal Pump	Model / SKU	25CYZ-A-20-Self-suction-Centrifugal-Oil-Pump
Standard	EN	Material	, Oil trucks, airports, transport gasoline, kerosene, diesel, aviation coal, etc., such as the use of corrosive mechanical seals and stainless steel, can also be applied to chemical, pharmaceutical, brewing, electroplating, printing and dyeing, papermaking, power mines, etc., transportation, etc.

Weight / Size

Model Flow Lift Suction Height
 Self-priming time Speed(r/min)
 Power(KW) (NPSH)r Size(mm)
 Weight (m3/n) (L/S) (m) (m) (min)
 Inlet Outlet (kg) 25CYZ-A-20 3.2
 0.9 20 6 2 2900 1.1 3 25 25 70
 25CYZ-A32 3.2 0.9 32 6 2 2900
 1.5 3 25 25 85 32CYZ-A50 3.2 0.9
 50 6 2 2900 3 3 32 32 110 40CYZ-
 A-20 6.3 1.8 20 5 2 2900 1.5 3 40
 40 95 40CYZ-A-32 6.3 1.8 32 5 2
 2900 2.2 3 40 40 100 40CYZ-A-40
 10 2.8 40 5 2 2900 4 3.5 40 40
 150 40CYZ-A-50 6.3 1.8 50 5 2
 2900 4 3.5 40 40 150 50CYZ-A-12
 12.5 3.5 12 5 2 2900 1.5 3.5 50 50
 90 50CYZ-A-20 15 3.5 20 5 2
 2900 2.2 3.5 50 50 100 50CYZ-A-
 30 12.5 3.5 30 5 2 2900 3 3.5 50
 50 150 50CYZ-A-35 12.5 3.5 35 5
 2 2900 4 3.5 50 50 150 50CYZ-A-
 40 12.5 3.5 40 5 2 2900 4 3.5 50
 50 150 50CYZ-A-50 12.5 3.5 50 5
 2 2900 5.5 3.5 50 50 190 50CYZ-
 A-60 12.5 3.5 60 5 2 2900 7.5 3.5
 50 50 210 50CYZ-A-75 15 4.2 75
 5 2 2900 11 3.5 50 50 320 65CYZ-
 A-15 30 8.3 15 4 2.5 2900 3 3.5 65
 65 145 65CYZ-A-32 25 6.9 32 5 2
 2900 5.5 3.5 65 65 180 65CYZ-A-
 50 25 6.9 50 5 2 2900 7.5 3.5 65
 65 200 65CYZ-A-70 25 6.9 70 5 2
 2900 15 3.5 65 65 320 80CYZ-A-
 13 35 9.7 13 3.5 3.4 2900 3 4.5 80
 80 145 80CYZ-A-17 43 12 17 3.5
 3 2900 4 4.5 80 80 160 80CYZ-A-
 22 40 11.1 22 3.5 2.5 2900 5.5 4.5
 80 80 190 80CYZ-A-25 50 13.9 25
 4 2.5 2900 7.5 4.5 80 80 190
 80CYZ-A-32 50 13.9 32 4 2 2900
 7.5 4 80 80 210 80CYZ-A-40 50
 13.9 40 4 2 2900 11 4 80 80 290
 80CYZ-A-55 60 16.7 55 4.5 2
 2900 18.5 4 80 80 320 80CYZ-A-
 70 60 16.7 70 4.5 2 2900 22 4 80
 80 420 100CYZ-A-20 80 22.3 20
 3.5 2 2900 7.5 4.5 80 80 220
 100CYZ-A-25 100 27.8 25 4 2
 2900 11 4.5 100 100 290 100CYZ-
 A-32 100 27.8 32 4.5 2 2900 15
 4.5 100 100 310 100CYZ-A-40
 100 27.8 40 4.5 2 2900 18.5 4 100

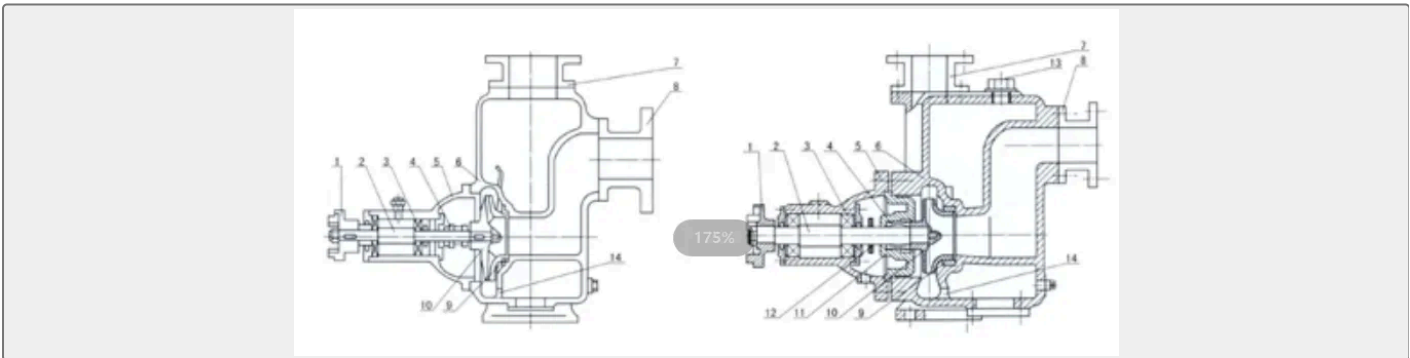
Certificate

ABS, LR, BV, DNVGL, NK, KR,
 IRS, RMRS, CCS



	100 330 100CYZ-A-50 100 27.8 50 4.5 2 2900 22 4 100 100 370 100CYZ-A-65 100 27.8 65 4.5 2 2900 30 4 100 100 470 100CYZ- A-75 80 22.3 75 4.5 2 2900 30 4 100 100 480 150CYZ-A-15 180 50.2 20 4.5 2.5 1450 15 3 150 150 450 150CYZ-A-30 180 50.2 30 4.5 2.5 1450 30 3.5 150 150 580 150CYZ-A-45 160 44.4 45 4.5 2 2900 37 4.5 150 150 600 150CYZ- A-55 160 44.4 55 4.5 2 2900 45 4.5 150 150 750 150CYZ-A-65 160 44.4 65 4.5 2 2900 55 4.5 150 150 820 150CYZ-A-80 160 44.4 80 4.5 2 2900 55 4.5 150 150 850 200CYZ-A-32 400 111.1 32 4.5 2 1450 75 4 200 200 1280 200CYZ- A-63 280 77.8 63 4.5 2 1450 90 4 200 200 1450 250CYZ-A-50 400 111.1 50 4.5 2 1450 90 4 250 250 1950 300CYZ-A-50 500 138.9 50 4.5 2 1450 110 4 300 300 1800		
Warranty	12 Months unless specified otherwise	Origin	China

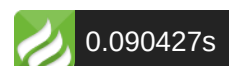
25CYZ-A-20 Self-suction Centrifugal Oil Pump



1. Product overview:

The CYZ-A self-suction centrifugal oil pump produced in this unit is widely suitable for the latest pump products developed by digestion, absorption, and improved at home and abroad. , Oil trucks, airports, transport gasoline, kerosene, diesel, aviation coal, etc., such as the use of corrosive mechanical seals and stainless steel, can also be applied to chemical, pharmaceutical, brewing, electroplating, printing and dyeing, papermaking, power mines, etc., transportation, etc. The medium temperature is -20°C-80°C, the viscosity≤100 perpal, and the solid content can reach less than 30%.

Characteristic

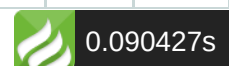


1. This pump is a self-suction centrifugal pump. It has simple structure, convenient operation, stable operation, easy maintenance, long life, and strong self-absorbing ability. There is no base valve in the pipeline. You only need to ensure a quantitative oil in the pump body before work. When it is used on the tanker or water transmission ship, it can be used as a good effect on cockpit pumps, ship pressure pumps, ship fire pumps, and ship sweeping pumps.

2. This pump is made of high-quality materials. The sealing is sealed with hard alloy mechanical sealing, durable, and no need to install a safety valve to spit out the pipeline. It has improved labor conditions.

Model	Flow		Lift (m)	Suction Height (m)	Self-priming time (min)	Speed(r/min)	Power(KW)	(NPSH) r	Size(mm)		Weight (kg)
	(m ³ /n)	(L/S)							Inlet	Outlet	
25CZY-A-20	3.2	0.9	20	6	2	2900	1.1	3	25	25	70
25CZY-A32	3.2	0.9	32	6	2	2900	1.5	3	25	25	85
32CZY-A50	3.2	0.9	50	6	2	2900	3	3	32	32	110
40CZY-A-20	6.3	1.8	20	5	2	2900	1.5	3	40	40	95
40CZY-A-32	6.3	1.8	32	5	2	2900	2.2	3	40	40	100
40CZY-A-40	10	2.8	40	5	2	2900	4	3.5	40	40	150
40CZY-A-50	6.3	1.8	50	5	2	2900	4	3.5	40	40	150
50CZY-A-12	12.5	3.5	12	5	2	2900	1.5	3.5	50	50	90
50CZY-A-20	15	3.5	20	5	2	2900	2.2	3.5	50	50	100
50CZY-A-30	12.5	3.5	30	5	2	2900	3	3.5	50	50	150
50CZY-A-35	12.5	3.5	35	5	2	2900	4	3.5	50	50	150
50CZY-A-40	12.5	3.5	40	5	2	2900	4	3.5	50	50	150
50CZY-A-50	12.5	3.5	50	5	2	2900	5.5	3.5	50	50	190
50CZY-A-60	12.5	3.5	60	5	2	2900	7.5	3.5	50	50	210
50CZY-A-75	15	4.2	75	5	2	2900	11	3.5	50	50	320
65CZY-A-15	30	8.3	15	4	2.5	2900	3	3.5	65	65	145
65CZY-A-32	25	6.9	32	5	2	2900	5.5	3.5	65	65	180

65CYZ-A-50	25	6.9	50	5	2	2900	7.5	3.5	65	65	200
65CYZ-A-70	25	6.9	70	5	2	2900	15	3.5	65	65	320
80CYZ-A-13	35	9.7	13	3.5	3.4	2900	3	4.5	80	80	145
80CYZ-A-17	43	12	17	3.5	3	2900	4	4.5	80	80	160
80CYZ-A-22	40	11.1	22	3.5	2.5	2900	5.5	4.5	80	80	190
80CYZ-A-25	50	13.9	25	4	2.5	2900	7.5	4.5	80	80	190
80CYZ-A-32	50	13.9	32	4	2	2900	7.5	4	80	80	210
80CYZ-A-40	50	13.9	40	4	2	2900	11	4	80	80	290
80CYZ-A-55	60	16.7	55	4.5	2	2900	18.5	4	80	80	320
80CYZ-A-70	60	16.7	70	4.5	2	2900	22	4	80	80	420
100CYZ-A-20	80	22.3	20	3.5	2	2900	7.5	4.5	80	80	220
100CYZ-A-25	100	27.8	25	4	2	2900	11	4.5	100	100	290
100CYZ-A-32	100	27.8	32	4.5	2	2900	15	4.5	100	100	310
100CYZ-A-40	100	27.8	40	4.5	2	2900	18.5	4	100	100	330
100CYZ-A-50	100	27.8	50	4.5	2	2900	22	4	100	100	370
100CYZ-A-65	100	27.8	65	4.5	2	2900	30	4	100	100	470
100CYZ-A-75	80	22.3	75	4.5	2	2900	30	4	100	100	480
150CYZ-A-15	180	50.2	20	4.5	2.5	1450	15	3	150	150	450
150CYZ-A-30	180	50.2	30	4.5	2.5	1450	30	3.5	150	150	580
150CYZ-A-45	160	44.4	45	4.5	2	2900	37	4.5	150	150	600
150CYZ-A-55	160	44.4	55	4.5	2	2900	45	4.5	150	150	750



150CYZ-A-65	160	44.4	65	4.5	2	2900	55	4.5	150	150	820
150CYZ-A-80	160	44.4	80	4.5	2	2900	55	4.5	150	150	850
200CYZ-A-32	400	111.1	32	4.5	2	1450	75	4	200	200	1280
200CYZ-A-63	280	77.8	63	4.5	2	1450	90	4	200	200	1450
250CYZ-A-50	400	111.1	50	4.5	2	1450	90	4	250	250	1950
300CYZ-A-50	500	138.9	50	4.5	2	1450	110	4	300	300	1800