

DRAG ANCHOR

25Ton Anchor Line Hook

Material: High Strength Steel Working Load: 25Ton Specification: Item No SWL A B C ...

- ISO9001 Supplier
- Class Certificate
- Export Supply



Key Highlights

| | |
|--------------------|--|
| Category | Drag Anchor |
| Standard | EN |
| Material | Material: |
| Certificate | ABS, LR, BV, DNVGL, NK, KR, IRS, RMRS, CCS |

We can supply according to your requirement, drawings, class certificate needs, and delivery schedule.

Technical Specifications

| | | | |
|--------------------|--|--------------------|--------------------------------------|
| Category | Drag Anchor | Model / SKU | 25Ton-Anchor-Line-Hook |
| Standard | EN | Material | Material: |
| Certificate | ABS, LR, BV, DNVGL, NK, KR, IRS, RMRS, CCS | Warranty | 12 Months unless specified otherwise |
| Origin | China | | |

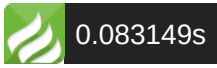
CONTENTS

- China 25Ton Anchor Line Hook:
- Specification:

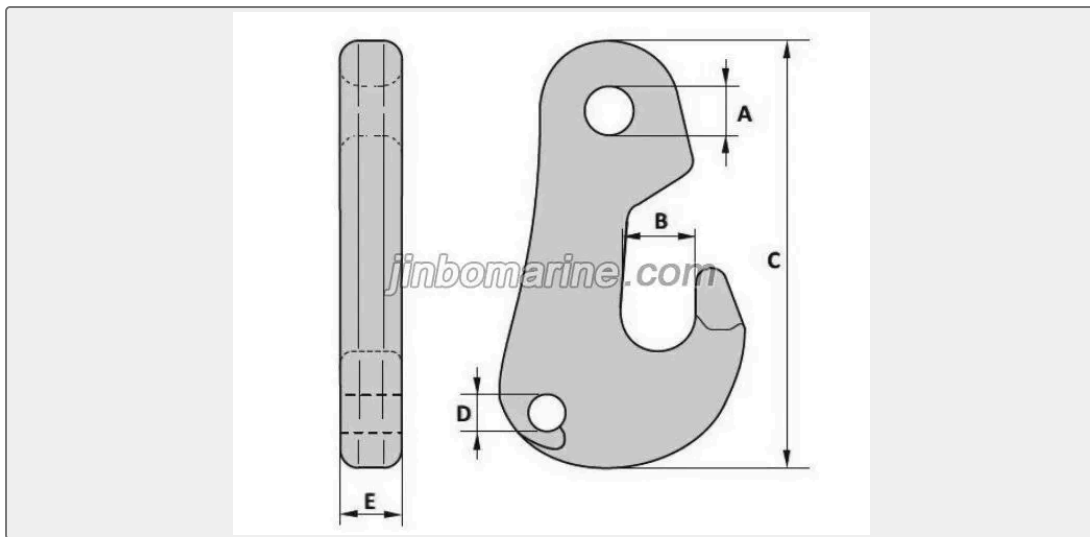
China 25Ton Anchor Line Hook:

Material: High Strength Steel

Working Load: 25Ton



Specification:



| Item No | SWL | A | B | C | D | E | Proof Load | MBL |
|---------|-----|----|-----|-----|----|-----|------------|-----|
| | Ton | mm | mm | mm | mm | mm | Ton | Ton |
| 1 | 20 | 40 | 74 | 343 | 32 | 60 | 40 | 80 |
| 2 | 25 | 52 | 86 | 440 | 38 | 65 | 50 | 100 |
| 3 | 30 | 62 | 95 | 480 | 40 | 70 | 60 | 120 |
| 4 | 50 | 80 | 112 | 618 | 45 | 90 | 100 | 200 |
| 5 | 80 | 90 | 130 | 709 | 62 | 100 | 160 | 320 |