

# Jinbo Marine

Marine & Offshore Equipment Datasheet

PRODUCT DATASHEET

HEAT EXCHANGER

## 2LQFL Column Tube Cooler series

Horizontal Type: Vertical Type: Model A0.5F A0.65F A0.8F A1.0F A1.2F ...

ISO9001 Supplier

Class Certificate

Export Supply



### Key Highlights

Category	Heat Exchanger
Material	Stainless steel, Red copper
Weight / Size	Model A0.5F A0.65F A0.8F A1.0F A1.2F A1.45F A1.7F A2.1F A2.5F A3.0F A3.6...
Certificate	CCS,BV, ABS, GL, DNV certificate etc.

We can supply according to your requirement, drawings, class certificate needs, and delivery schedule.

## Technical Specifications

<b>Category</b>	Heat Exchanger	<b>Model / SKU</b>	2LQFL-Column-Tube-Cooler-series
-----------------	----------------	--------------------	---------------------------------

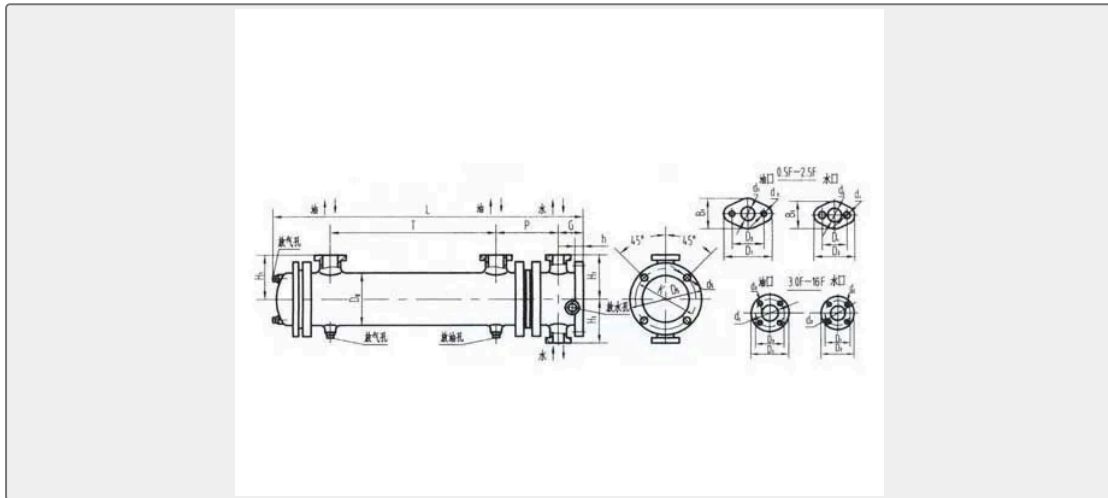


Material	Stainless steel, Red copper	Weight / Size	Model A0.5F A0.65F A0.8F A1.0F
			A1.2F A1.45F A1.7F A2.1F A2.5F
			A3.0F A3.6F A4.3F A5.0F A6.0F
			A7.2F A8.5F A10F A12F A14F
			A16F Heat transfer area 0.5 0.65
			0.8 1 1.2 1.45 1.7 2.1 2.5 3 3.6 4.3
			5 6 7.2 8.5 10 12 14 16 D5 186
			186 186 220 220 220 270 270 270
			308 308 308 340 340 340 420 420
			420 420 420 k 164 164 164 190
			190 190 240 240 240 278 278 278
			310 310 310 375 375 375 375 375
			h 16 16 16 16 16 16 18 18 18 18
			18 18 18 18 18 20 20 20 20 20 G
			75 75 75 80 80 80 85 85 85 90 90
			90 95 95 95 100 100 100 100 100
			d5 12 12 12 15 15 15 15 15 15 15
			15 15 15 15 15 18 18 18 18 18 Dg
			114 114 114 146 146 146 168 168
			168 219 219 219 245 245 245 325
			325 325 325 325 L 620 745 875
			760 886 1010 825 975 1125 960
			1085 1235 1015 1165 1340 1100
			1225 1400 1400 1547 H1 110 110
			110 135 135 135 152 152 200 200
			200 215 215 215 280 280 280 280
			280 280 P 93 93 93 105 105 105
			120 120 120 170 170 170 190 190
			190 210 210 210 210 210 T 357
			482 607 460 585 710 500 650 800
			565 690 840 570 720 895 590 715
			890 890 1038 Flange Ellipse
			Round d1 25 25 25 32 32 32 40 40
			40 50 50 50 65 65 65 80 80 80 80
			80 D1 90 90 90 100 100 100 118
			118 118 160 160 160 180 180 180
			195 195 195 195 195 B1 64 64 64
			72 72 72 85 85 85 D3 65 65 65 75
			75 75 90 90 90 125 125 125 145
			145 145 160 160 160 160 160 d3
			11 11 11 11 11 11 14 14 14 18 18
			18 18 18 18 4*18 4*18 4*18 4*18
			4*18 d2 20 20 20 25 25 25 32 32
			32 40 40 40 50 50 50 65 65 65 65
			65 D2 80 80 80 90 90 90 100 100
			100 145 145 145 160 160 160 180
			180 180 180 180 B2 45 45 45 64
			64 64 72 72 72 D4 55 55 55 65 65
			75 75 75 110 110 110 125 125 125
			145 145 145 145 145 145 d4 11 11
			11 11 11 11 11 11 18 18 18 18 18
			18 18 18 18 18 18 18 18 18 18 18 0.054123s

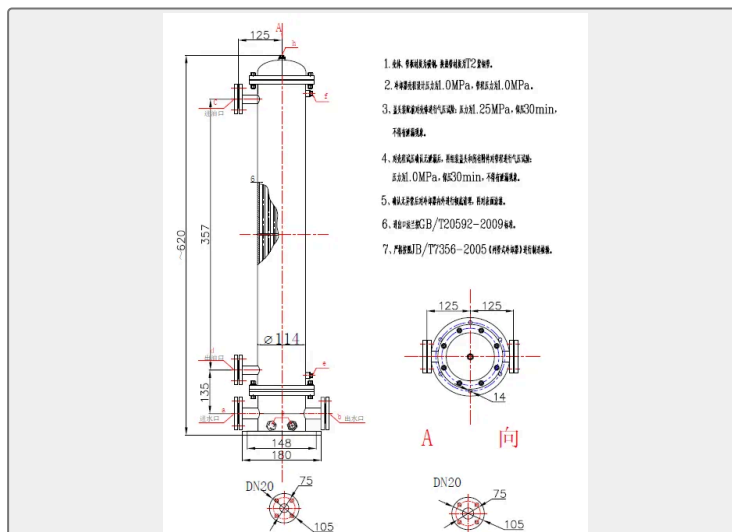
			35 38 41 51 55 58 68 77 84 118 126 137 148 163 179 227 243 265 275 285 Product Photograph :
<b>Certificate</b>	CCS,BV, ABS, GL, DNV certificate etc.	<b>Warranty</b>	12 Months unless specified otherwise
<b>Origin</b>	China		

<b>CONTENTS</b>	■ Horizontal Type:	■ Vertical Type:
	■ Product Photograph :	

## Horizontal Type:



## Vertical Type:



Model	A0	A0.	A0	A1	A1	A1.	A1	A2	A2	A3	A3	A4	A5	A6	A7	A8	A1	A1	A1	A1
	.5F	65	.8F	.0F	.2F	45	.7F	.1F	.5F	.0F	.6F	.3F	.0F	.0F	.2F	.5F	0F	2F	4F	6F



Heat transfer area	0.5	0.65	0.8	1	1.2	1.45	1.7	2.1	2.5	3	3.6	4.3	5	6	7.2	8.5	10	12	14	16
D5	186	186	186	220	220	220	270	270	270	308	308	308	340	340	340	420	420	420	420	420
k	164	164	164	190	190	190	240	240	240	278	278	278	310	310	310	375	375	375	375	375
h	16	16	16	16	16	16	18	18	18	18	18	18	18	18	18	20	20	20	20	20
G	75	75	75	80	80	80	85	85	85	90	90	90	95	95	95	100	100	100	100	100
d5	12	12	12	15	15	15	15	15	15	15	15	15	15	15	15	18	18	18	18	18
Dg	114	114	114	146	146	146	168	168	168	219	219	219	245	245	245	325	325	325	325	325
L	620	745	875	760	886	1010	825	975	1125	960	1085	1235	1015	1165	1340	1100	1225	1400	1400	1547
H1	110	110	110	135	135	135	152	152	200	200	200	215	215	215	280	280	280	280	280	280
P	93	93	93	105	105	105	120	120	120	170	170	170	190	190	190	210	210	210	210	210
T	357	482	607	460	585	710	500	650	800	565	690	840	570	720	895	590	715	890	890	1038
Flange	Ellipse										Round									
d1	25	25	25	32	32	32	40	40	40	50	50	50	65	65	65	80	80	80	80	80
D1	90	90	90	100	100	100	118	118	118	160	160	160	180	180	180	195	195	195	195	195
B1	64	64	64	72	72	72	85	85	85											
D3	65	65	65	75	75	75	90	90	90	125	125	125	145	145	145	160	160	160	160	160
d3	11	11	11	11	11	11	14	14	14	18	18	18	18	18	18	4*18	4*18	4*18	4*18	4*18
d2	20	20	20	25	25	25	32	32	32	40	40	40	50	50	50	65	65	65	65	65
D2	80	80	80	90	90	90	100	100	100	145	145	145	160	160	160	180	180	180	180	180
B2	45	45	45	64	64	64	72	72	72											
D4	55	55	55	65	65	75	75	75	110	110	110	125	125	125	145	145	145	145	145	145
d4	11	11	11	11	11	11	11	11	18	18	18	18	18	18	18	18	18	18	18	18
Weigh t(kg)	35	38	41	51	55	58	68	77	84	118	126	137	148	163	179	227	243	265	275	285



## Product Photograph :

