

Jinbo Marine

Marine & Offshore Equipment Datasheet

PRODUCT DATASHEET

OTHER MARINE VALVES & ACCESSORIES

3 Way Sewage Discharge Valve

3 Way Sewage Discharge Valve Purpose: Change for discharge line of overboard and sewage treatment tanks Feature: Non accumulation and non space, easy operation. Body hydrostatic test: 0.2Mpa ...

- ISO9001 Supplier
- Class Certificate
- Export Supply



Key Highlights

Category	Other Marine Valves & Accessories
Standard	EN
Material	Cast Iron
Weight / Size	Main Size:
Certificate	ABS, LR, BV, DNVGL, NK, KR, IRS, RMRS, CCS

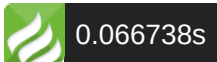
We can supply according to your requirement, drawings, class certificate needs, and delivery schedule.

Technical Specifications

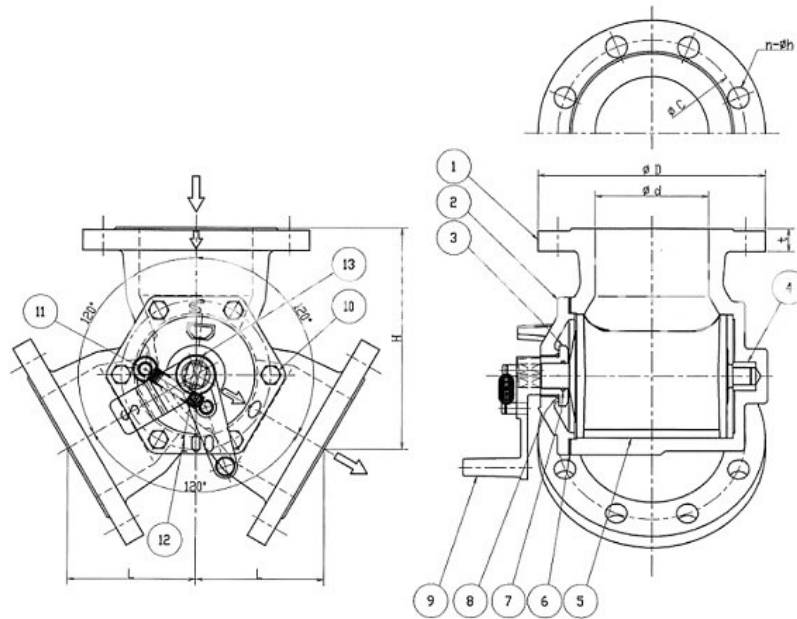
Category	Other Marine Valves & Accessories	Model / SKU	3-Way-Sewage-Discharge-Valve
Standard	EN	Material	Cast Iron
Weight / Size	Main Size:	Certificate	ABS, LR, BV, DNVGL, NK, KR, IRS, RMRS, CCS
Warranty	12 Months unless specified otherwise	Origin	China

CONTENTS

- China 3 Way Sewage Discharge Valve:
- Main Size:



China 3 Way Sewage Discharge Valve:



3 Way Sewage Discharge Valve

Purpose: Change for discharge line of overboard and sewage treatment tanks

Feature: Non accumulation and non space, easy operation.

Body hydrostatic test: 0.2Mpa

Material: Cast Steel or Cast Iron.

Main Size:

Model	Size	d	L	H	D	C	n	h	t	Weight(kgs)
SLB-100	100A	100	113	195	200	165	8	19	16	24
SLB-125	125A	125	126	218	235	200	8	19	16	36
SLB-150	150A	150	143	248	265	230	8	19	16	45