

Jinbo Marine

Marine & Offshore Equipment Datasheet

PRODUCT DATASHEET

MARINE WINCH

50KN Double Handwheel Manual Winch

50KN Hand Winch

ISO9001 Supplier

Class Certificate

Export Supply



Key Highlights

Category	Marine Winch
Standard	DIN
Material	Steel
Weight / Size	Dimensions Main Parameters Rope : $\phi 26 \times 50\text{m}$ Working load : 50KN Holding load...
Certificate	Factory certificate

We can supply according to your requirement, drawings, class certificate needs, and delivery schedule.

Technical Specifications

Category	Marine Winch	Model / SKU	50KN-Double-Handwheel-Manual-Winch
Standard	DIN	Material	Steel
Weight / Size	Dimensions Main Parameters Rope : $\phi 26 \times 50\text{m}$ Working load : 50KN Holding load:	Certificate	Factory certificate
Warranty	12 Months unless specified otherwise	Origin	China

CONTENTS

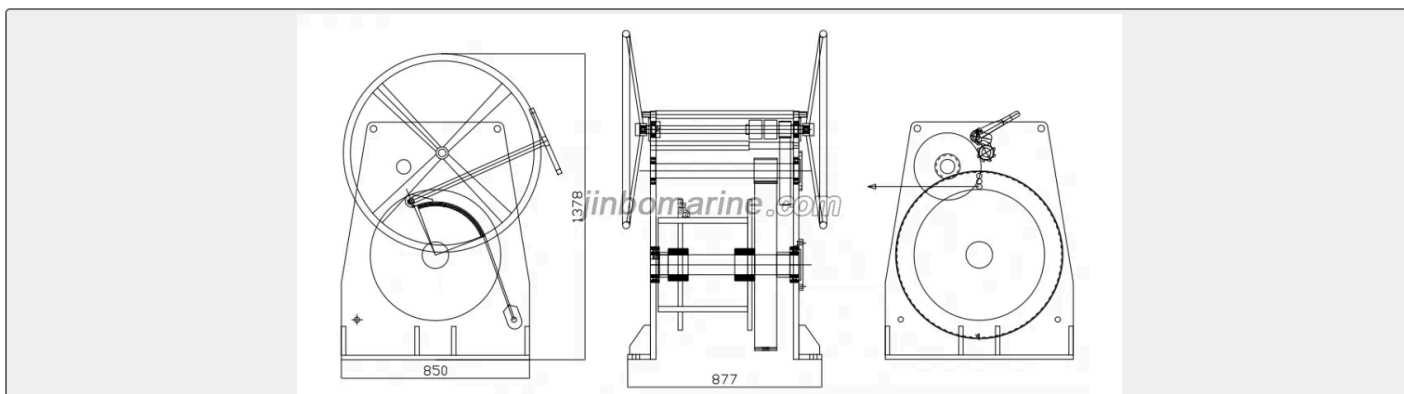
- Introduction
- Main Parameters
- Dimensions

Introduction

50KN double handwheel manual winch, the winch has a simplified structure, strong practicability, and can be operated from both sides, which is very convenient. This structure is widely used in the load range of 10KN~100KN and various occasions. The brake belt used does not contain asbestos, which is environmentally friendly and healthy.



Dimensions



Main Parameters

Rope : $\varnothing 26 \times 50\text{m}$

Working load : 50KN

Holding load: 200KN