

Jinbo Marine

Marine & Offshore Equipment Datasheet

PRODUCT DATASHEET

DRAG ANCHOR

50Ton Anchor Line Hook

Material: High Strength Steel Working Load: 50T Painting: Blue Specification SWL B D Proof Load Ton mm ...

ISO9001 Supplier

Class Certificate

Export Supply



Key Highlights

Category	Drag Anchor
Standard	EN
Material	Material:
Certificate	ABS, LR, BV, DNVGL, NK, KR, IRS, RMRS, CCS

We can supply according to your requirement, drawings, class certificate needs, and delivery schedule.

Technical Specifications

Category	Drag Anchor	Model / SKU	50Ton-Anchor-Line-Hook
Standard	EN	Material	Material:
Surface	50T Painting:	Certificate	ABS, LR, BV, DNVGL, NK, KR, IRS, RMRS, CCS
Warranty	12 Months unless specified otherwise	Origin	China

CONTENTS

- China 50Ton Anchor Line Hook:

- Specification

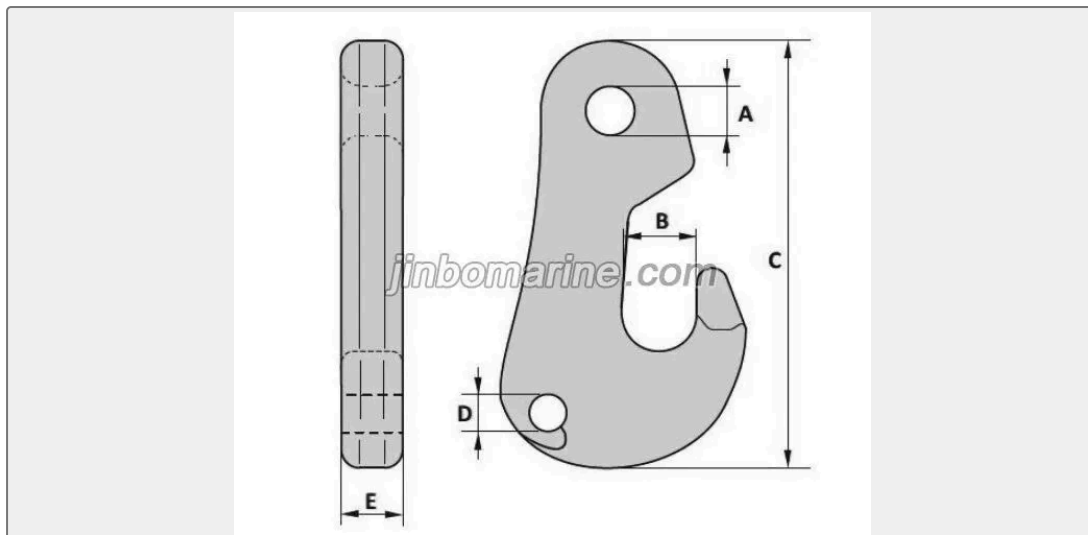
China 50Ton Anchor Line Hook:

Material: High Strength Steel

Working Load: 50T

Painting: Blue





Specification

Item No	SWL	A	B	C	D	E	Proof Load	MBL
	Ton	mm	mm	mm	mm	mm	Ton	Ton
1	20	40	74	343	32	60	40	80
2	25	52	86	440	38	65	50	100
3	30	62	95	480	40	70	60	120
4	50	80	112	618	45	90	100	200
5	80	90	130	709	62	100	160	320