

Jinbo Marine

Marine & Offshore Equipment Datasheet

PRODUCT DATASHEET

MARINE KITCHEN GALLEY

510A Marine Sewage Crusher With Pool

ISO9001 Supplier

Class Certificate

Export Supply

510A Marine Sewage Crusher With Pool 1. Stainless steel structure and body 2. Large diameter sewage outlet 3. With control box, easy to operate 4. With forward and reverse function 5. Wet grinding method to tre...



Key Highlights

Category	Marine Kitchen Galley
Standard	DIN
Material	SS
Weight / Size	The weight has been given before 510A Marine Sewage Crusher With Pool Dr...
Certificate	ABS, LR, BV, DNVGL, NK, KR, IRS, RMRS, CCS

We can supply according to your requirement, drawings, class certificate needs, and delivery schedule.



Technical Specifications			
Category	Marine Kitchen Galley	Model / SKU	510A-Marine-Sewage-Crusher-With-Pool
Standard	DIN	Material	SS
Weight / Size	The weight has been given before 510A Marine Sewage Crusher With Pool Drawing 510A Marine Sewage Crusher With Pool Parameters Model LC5-13 SS100- 35 SS200-39 510A 515A JZFXJ15-00 Crushing Amount 150kg/h 300kg/h 400kg/h 300kg/h 400kg/h 1-15kg/min Voltage 0.45 0.75 1.5 0.75 1.1 1.5 Power(kw) 220v-1PH-50Hz/60Hz 380/415V- 3PH-50Hz 380/415V-3PH-50Hz 440/480v 3ph-60Hz Size(mm) φ204x362 320x240x432 370X300X468 φ253x427 φ253x427 420x403x855 Weight(kg) 16 23 50 26 29 100	Certificate	ABS, LR, BV, DNVGL, NK, KR, IRS, RMRS, CCS
Warranty	12 Months unless specified otherwise	Origin	China

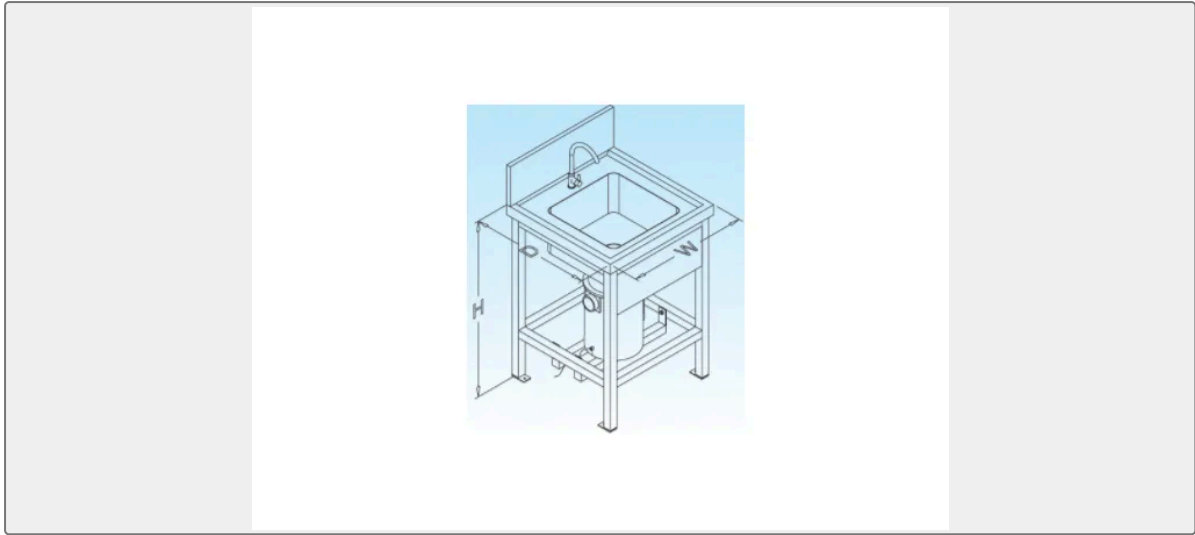
CONTENTS

- 510A Marine Sewage Crusher With Pool
- 510A Marine Sewage Crusher With Pool Drawing
- 510A Marine Sewage Crusher With Pool Parameters

510A Marine Sewage Crusher With Pool

1. Stainless steel structure and body
2. Large diameter sewage outlet
3. With control box, easy to operate
4. With forward and reverse function
5. Wet grinding method to treat food residues
6. Motor overload protection, safe and convenient
7. The weight has been given before

510A Marine Sewage Crusher With Pool Drawing



510A Marine Sewage Crusher With Pool Parameters

Model	LC5-13	SS100-35	SS200-39	510A	515A	JZFXJ15-00
Crushing Amount	150kg/h	300kg/h	400kg/h	300kg/h	400kg/h	1-15kg/min
Voltage	0.45	0.75	1.5	0.75	1.1	1.5
Power(kw)	220v-1PH-50Hz/60Hz		380/415V-3PH-50Hz	380/415V-3PH-50Hz 440/480v 3ph-60Hz		
Size(mm)	φ204x362	320x240x432	370X300X468	φ253x427	φ253x427	420x403x855
Weight(kg)	16	23	50	26	29	100