

Jinbo Marine

Marine & Offshore Equipment Datasheet

PRODUCT DATASHEET

OFFSHORE ANCHOR

7000kgs JB HHP Anchors

We have all size of JB HHP anchors for sale except 7000kgs, easy installation and high holding power(HHP). JB HHP Anchors This Anchor is steel plate anchor, a smooth and excellent penetration in different ...

ISO9001 Supplier

Class Certificate

Export Supply



Key Highlights

Category	Offshore Anchor
Standard	DIN
Material	DH36, Casting Steel
Weight / Size	from 300KGS to 25000KGS
Certificate	ABS, LR, BV, DNV, GL, RINA, NK, KR, RS, IRS, CCS

We can supply according to your requirement, drawings, class certificate needs, and delivery schedule.

Technical Specifications

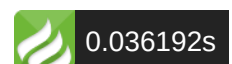
Category	Offshore Anchor	Model / SKU	7000kgs-JB-HHP-Anchors
Standard	DIN	Material	DH36, Casting Steel
Weight / Size	from 300KGS to 25000KGS	Certificate	ABS, LR, BV, DNV, GL, RINA, NK, KR, RS, IRS, CCS
Warranty	12 Months unless specified otherwise	Origin	China

CONTENTS

- China 7000kgs JB HHP Anchors:
- JB HHP Anchors Specs:
- Proof Load for JB HHP Anchor
- JB HHP Anchors
- JB HHP Anchor/Fluke Angle
- More anchors

China 7000kgs JB HHP Anchors:

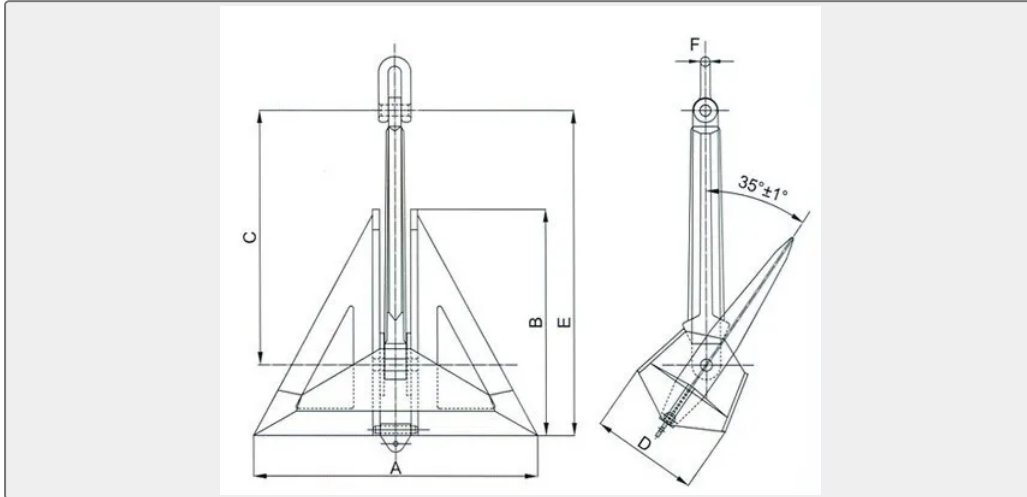
We have all size of JB HHP anchors for sale except 7000kgs, easy installation and high holding power(HHP).



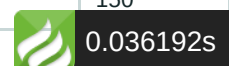
JB HHP Anchors

- This Anchor is steel plate anchor, a smooth and excellent penetration in different seabeds.
- Anchor is High Holding Power Anchor, big holding-power-to weight ratio and excellent stability.
- The weight is from 300KGS to 25000KGS, one of our most popular anchor to the oversea market.
- The classification Certificate shall be provided for the anchors, ABS, LR, BV, DNV, NK, GL, IRS, KR and CCS.

JB HHP Anchors Specs:

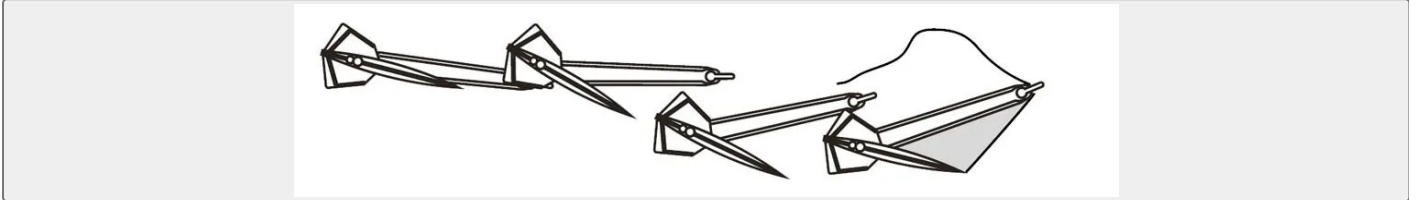


Weight/Mass (KG)	Size(mm)					
	A	B	C	D	E	F
300KGS	1200	960	1080	457	1380	45
500KGS	1500	1200	1350	571	1725	50
1000KGS	1875	1500	1686	714	2155	62
1080KGS	1915	1530	1686	722	2200	62
2000KGS	2363	1890	2124	900	2715	82
3000KGS	2700	2160	2430	1028	3105	90
4000KGS	2975	2380	2676	1133	3420	100
5000KGS	3250	2600	2922	1238	3735	110
7000KGS	3575	2860	3216	1361	4100	117
7500KGS	3650	2925	3290	1390	4210	117
8000KGS	3730	2900	3360	1420	43000	130
9000KGS	3950	3160	3555	1504	4543	135
10000KGS	4100	3280	3690	1561	4715	140
12000KGS	4490	3575	4030	1695	5320	145
13500KGS	4670	3720	4195	1765	5535	150
15000KGS	4845	3875	4355	1830	5735	150



18000KGS	5140	4080	4610	1940	6080	160
20000KGS	5330	4260	4790	2010	6310	170
22500KGS	5490	4360	4905	2060	6470	180
25000KGS	5740	4590	5160	2165	6795	195

JB HHP Anchor/Fluke Angle



Proof Load for JB HHP Anchor

anchor weight kg	proof load kN	anchor weight kg	proof load kN	anchor weight kg	proof load kN
50	29.7	2000	434.3	7000	970.3
55	31.7	2100	450	7200	987
60	34	2200	466	7400	1002
65	35.3	2300	480.7	7600	1018
70	37	2400	495	7800	1034
75	39	2500	509.7	8000	1050
80	40.7	2600	524.3	8200	1066
90	44	2700	537	8400	1078
100	47.3	2800	550.3	8600	1088.7
120	53	2900	563.7	8800	1099.3
140	58.3	3000	577	9000	1110
160	63.7	3100	589	9200	1120.7
180	68.4	3200	601	9400	1132
200	73.3	3300	613	9600	1148
225	80	3400	625	9800	1162.7
250	85.7	3500	635.7	10000	1173.3
275	91.7	3600	645	10500	1210
300	98	3700	655.7	11000	1240
325	104.3	3800	666.3	11500	1266.7
350	110.3	3900	677	12000	1300
375	116	4000	687	12500	

400	122	4100	696.3	13000	1380
425	127.3	4200	706	13500	1410
450	132	4300	715.7	14000	1450
475	137.3	4400	725.7	14500	1483.3
500	143	4500	735	15000	1520
550	155	4600	742.3	15500	1553.3
600	166	4700	751.7	16000	1586.7
650	177.3	4800	760	16500	1620
700	188	4900	769	17000	1653.3
750	199	5000	111	17500	1686.7
800	210.7	5100	786	18000	1720
850	221.3	5200	797.3	18500	1753.3
900	231	5300	808.7	19000	1780
950	241.7	5400	818	19500	1800
1000	252.3	5500	827.3	20000	1833.3
1050	262	5600	836.3	21000	1900
1100	272.7	5700	845	22000	1956.7
1150	282.7	5800	855.7	23000	2016.7
1200	292	5900	866.3	24000	2070
1250	302	6000	877	25000	2130
1300	311.7	6100	887	26000	2190
1350	321	6200	897.3	27000	2250
1400	330.3	6300	908	28000	2303.3
1450	339.7	6400	917.3	29000	2356.7
1500	349	6500	926.7	30000	2410
1600	366.7	6600	936	31000	2463.3
1700	384	6700	944.7	32000	2516.7
1800	401	6800	953	34000	2623.3
1900	418.3	6900	961	36000	2730

[More anchors](#)