

Jinbo Marine

Marine & Offshore Equipment Datasheet

PRODUCT DATASHEET

CHAIN SLING

8-082 Yoke Weld Hoist Ring

8-082 Yoke Weld Hoist Ring Drawing 8-082 Yoke Weld Hoist Ring Parameters ITEM NO.

WLL/T Weight/kg 8-082-04 ...

ISO9001 Supplier

Class Certificate

Export Supply



Key Highlights

Category	Chain Sling
Weight / Size	WLL/T Weight/kg 8-082-04 4 0.6 8-082-06 6.7 1.5 8-082-10 10 2.4 8-082-16...
Certificate	ABS, LR, BV, DNVGL, NK, KR, IRS, RMRS, CCS

We can supply according to your requirement, drawings, class certificate needs, and delivery schedule.

Technical Specifications

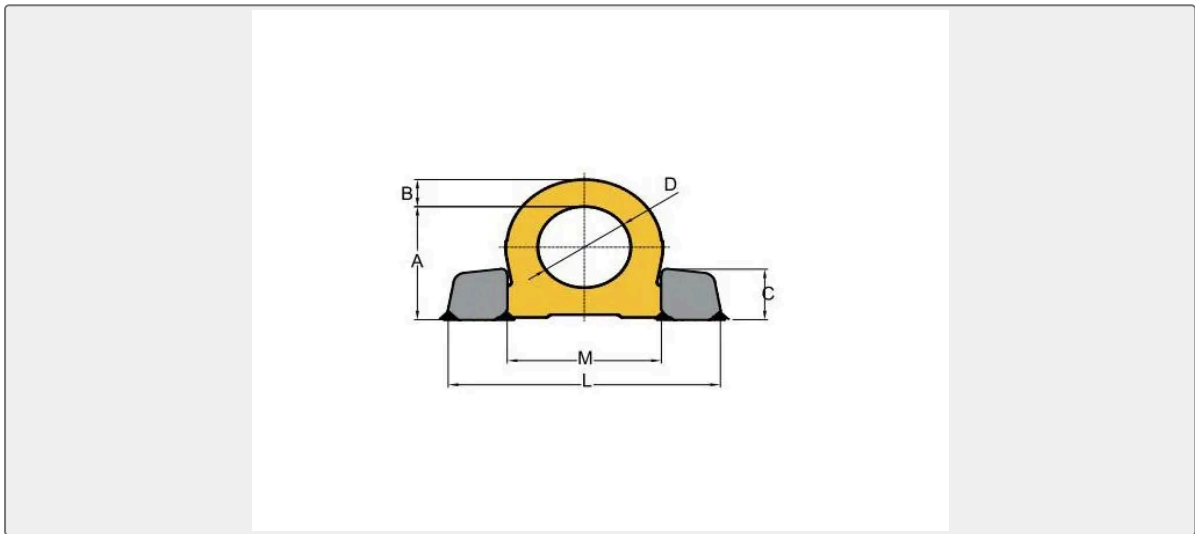
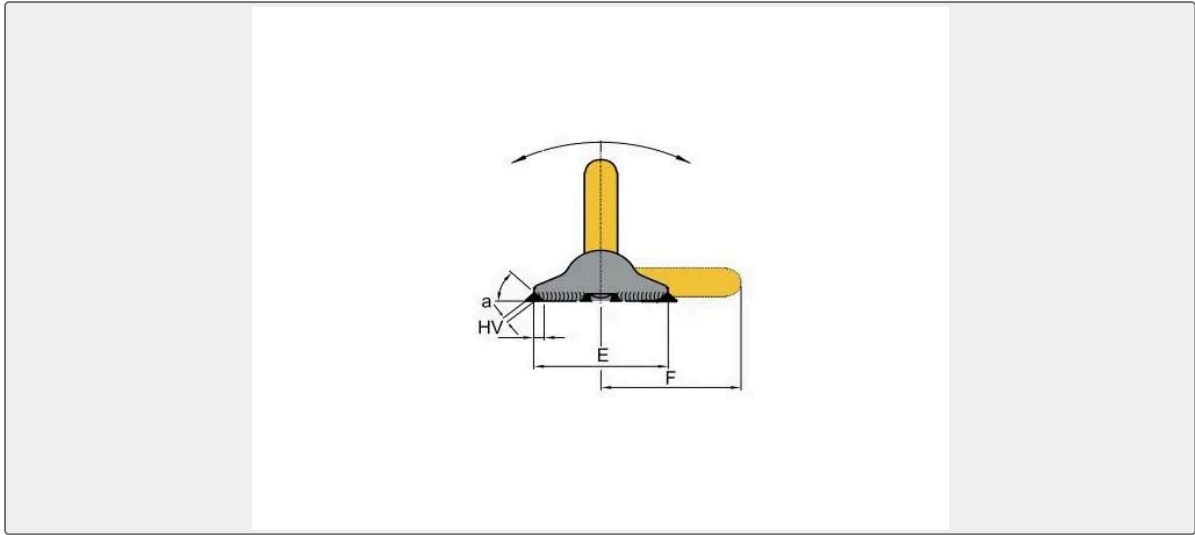
Category	Chain Sling	Model / SKU	8-082-Yoke-Weld-Hoist-Ring
Weight / Size	WLL/T Weight/kg 8-082-04 4 0.6 8-082-06 6.7 1.5 8-082-10 10 2.4 8-082-16 16 5.5 8-082-30 31.5 15.8 ITEM NO.	Certificate	ABS, LR, BV, DNVGL, NK, KR, IRS, RMRS, CCS
Warranty	12 Months unless specified otherwise	Origin	China

CONTENTS

- 8-082 Yoke Weld Hoist Ring Drawing

- 8-082 Yoke Weld Hoist Ring Parameters

8-082 Yoke Weld Hoist Ring Drawing



8-082 Yoke Weld Hoist Ring Parameters

ITEM NO.	WLL/T	Weight/kg
8-082-04	4	0.6
8-082-06	6.7	1.5
8-082-10	10	2.4
8-082-16	16	5.5
8-082-30	31.5	15.8

ITEM NO.	TECHNICAL PARAMETERS/MM				
	A	B	C	D	E
8-082-04	66	14	30	48	65
8-082-06	85	20	39	60	89
8-082-10	95	21	46	65	100

8-082-16	127	30	57	90	130
8-082-30	178	42	78	130	160
ITEM NO.	TECHNICAL PARAMETERS/MM				
	F	L	M	HV	a
8-082-04	70	135	76	5	3
8-082-06	91	171	98	5	3
8-082-10	100	196	106	7	4
8-082-16	136	263	149	8	4
8-082-30	160	365	213	15	4