

MARINE AUTOMATIC TELEPHONE SYSTEM

8-12 FX-2Q Connection Box

8-12 FX-2Q Connection Box 1)Chapter 1 of Part 4 of the “ Steel Ship Classification Rules” of the China Classification Society; 2)YD/T729-94 method for automatic exchanger network access; 3)GF002-9002.4 technique ...

- ISO9001 Supplier
- Class Certificate
- Export Supply



Key Highlights

Category	Marine Automatic Telephone System
Standard	EN
Material	8-12 FX-2Q Connection Box 1)Chapter 1 of Part 4 of the “ Steel Ship Clas...
Weight / Size	Type IP rating Colour Shell Weight 1 8FX-2Q IP22 White RAL7035 Q235B 2.3... RAL7035 Q235B 2.3...
Certificate	ABS, LR, BV, DNVGL, NK, KR, IRS, RMRS, CCS

We can supply according to your requirement, drawings, class certificate needs, and delivery schedule.

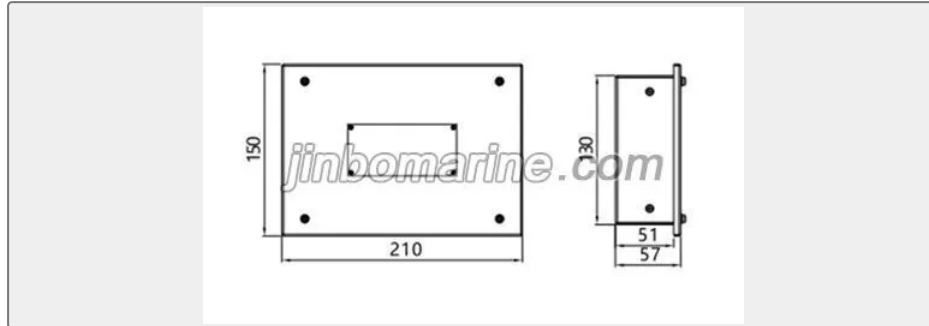
Technical Specifications			
Category	Marine Automatic Telephone System	Model / SKU	8-12-FX-2Q-Connection-Box
Standard	EN	Material	8-12 FX-2Q Connection Box 1)Chapter 1 of Part 4 of the “ Steel Ship Classification Rules” of the China Classification Society;
Weight / Size	Type IP rating Colour Shell Weight 1 8FX-2Q IP22 White RAL7035 Q235B 2.3KGS 2 12FX-2Q IP22 White RAL7035 Q235B 2.3KGS	Certificate	ABS, LR, BV, DNVGL, NK, KR, IRS, RMRS, CCS
Warranty	12 Months unless specified otherwise	Origin	China



China 8-12 FX-2Q Connection Box:

8-12 FX-2Q Connection Box

- 1)Chapter 1 of Part 4 of the " Steel Ship Classification Rules" of the China Classification Society;
- 2)YD/T729-94 method for automatic exchanger network access;
- 3)GF002-9002.4 technique specification for automatic exchanger equipments in technical ministry of posts and tele communication.



NO.	Type	IP rating	Colour	Shell	Weight
1	8FX-2Q	IP22	White RAL7035	Q235B	2.3KGS
2	12FX-2Q	IP22	White RAL7035	Q235B	2.3KGS