

Jinbo Marine

Marine & Offshore Equipment Datasheet

PRODUCT DATASHEET

ALARM INDICATOR SYSTEM

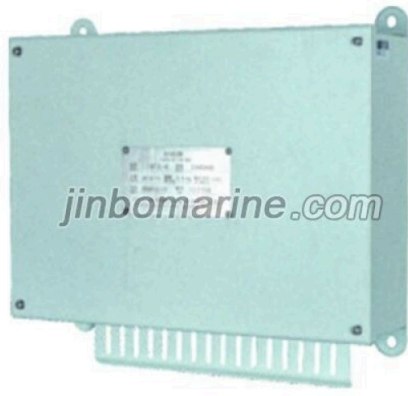
8/16/24/32Fx-4 Distribution Box

8/16/24/32Fx-4 Distribution Box 1)Chapter 2 of Part 4 of the"Steel Ship Classification Rules" of the China Classification Society: 2)IMO resolution A.1021 (26) code on alerts and indicators,2009. ...

ISO9001 Supplier

Class Certificate

Export Supply



Key Highlights

Category	Alarm Indicator System
Material	8/16/24/32Fx-4 Distribution Box 1)Chapter 2 of Part 4 of the"Steel Ship ...
Weight / Size	Type IP rating Colour Shell Weight 1 8Fx-4 IP22 White RAL7035 Q235B 3KGS...
Certificate	ABS, LR, BV, DNVGL, NK, KR, IRS, RMRS, CCS

We can supply according to your requirement, drawings, class certificate needs, and delivery schedule.

Technical Specifications

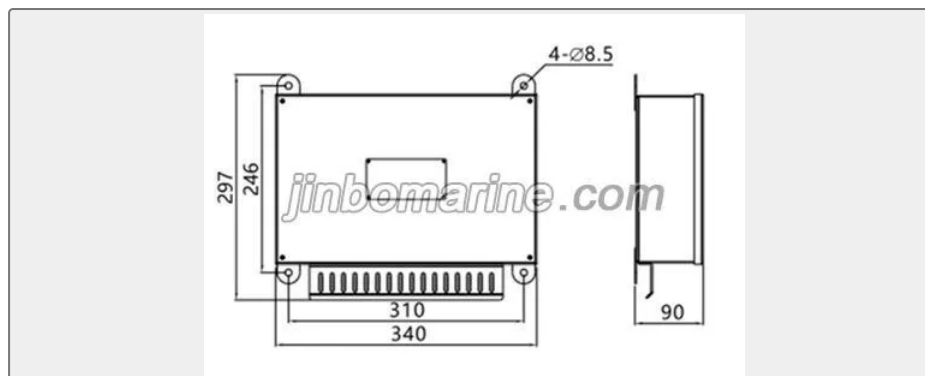
Category	Alarm Indicator System	Model / SKU	8-16-24-32Fx-4-Distribution-Box
Material	8/16/24/32Fx-4 Distribution Box 1)Chapter 2 of Part 4 of the"Steel Ship Classification Rules" of the China Classification Society:	Weight / Size	Type IP rating Colour Shell Weight 1 8Fx-4 IP22 White RAL7035 Q235B 3KGS 2 16Fx-4 IP22 White RAL7035 Q235B 4KGS 3 32Fx-2 IP22 White RAL7035 Q235B 5KGS
Certificate	ABS, LR, BV, DNVGL, NK, KR, IRS, RMRS, CCS	Warranty	12 Months unless specified otherwise
Origin	China		

China 8/16/24/32Fx-4 Distribution Box:

8/16/24/32Fx-4 Distribution Box

1)Chapter 2 of Part 4 of the"Steel Ship Classification Rules" of the China Classification Society:
2)IMO resolution A.1021 (26) code on alerts and indicators,2009.





NO.	Type	IP rating	Colour	Shell	Weight
1	8Fx-4	IP22	White RAL7035	Q235B	3KGS
2	16Fx-4	IP22	White RAL7035	Q235B	4KGS
3	32Fx-2	IP22	White RAL7035	Q235B	5KGS