


CHAIN SLING

8-203 Yoke Rotary Hoist Rings Screw With Metric Thread

- ISO9001 Supplier
- Class Certificate
- Export Supply

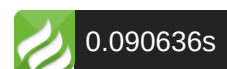
8-203 Yoke Rotary Hoist Rings Screw With Metric Thread Drawing 8-203 Yoke Rotary Hoist Rings Screw With Metric Thread Parameters ITEM NO. WLL/T ...



Key Highlights

Category	Chain Sling
Weight / Size	WLL/T THREAD/M WEIGHT/KG 5:1 4:1 8-203-004 0.4 0.5 M8X1.25 0.4 8-203-005...
Certificate	ABS, LR, BV, DNVGL, NK, KR, IRS, RMRS, CCS

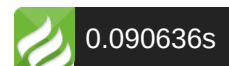
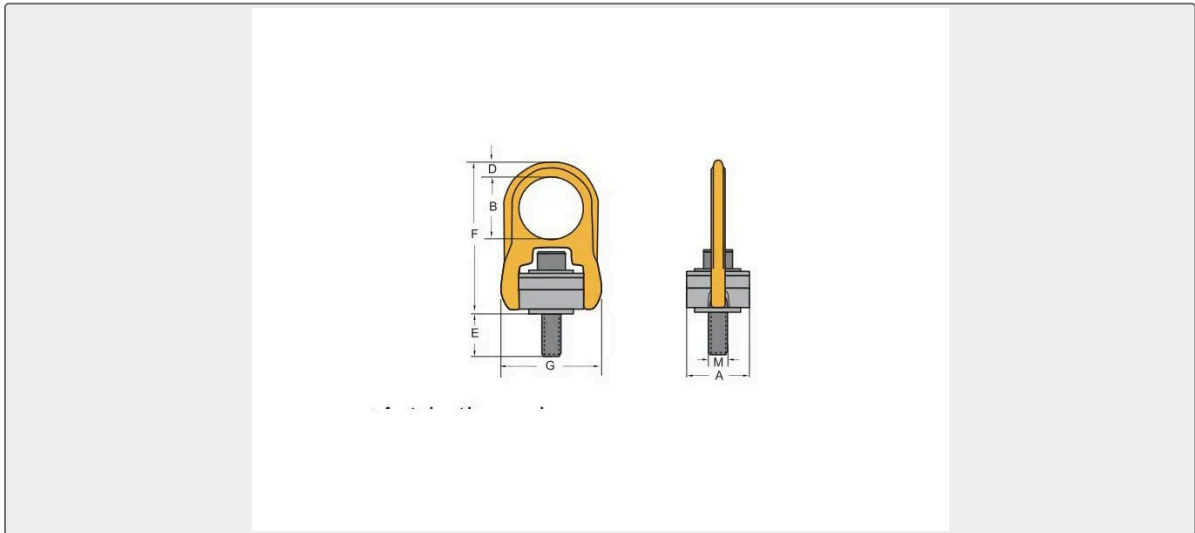
We can supply according to your requirement, drawings, class certificate needs, and delivery schedule.



Technical Specifications			
Category	Chain Sling	Model / SKU	8-203-Yoke-Rotary-Hoist-Rings-Screw-With-Metric-Thread
Weight / Size	WLL/T THREAD/M WEIGHT/KG 5:1 4:1 8-203-004 0.4 0.5 M8X1.25 0.4 8-203-005 0.45 0.55 M10X1.5 0.5 8-203-005L 0.45 0.55 M10X1.5 0.5 8-203-010 1.05 1.3 M12X1.75 1.7 8-203-010L 1.05 1.3 M12X1.75 1.7 8-203-019 1.90 2.4 M16X2 1.8 8-203-019L 1.90 2.4 M16X2 1.8 8-203-021 2.15 2.7 M20X2.5 1.8 8-203-021L 2.15 2.7 M20X2.5 1.9 8-203-030 3 3.75 M20X2.5 4.0 8-203-030L 3 3.75 M20X2.5 5.2 8-203-042 4.2 5.25 M24X3 4.2 8-203-042L 4.2 5.25 M24X3 4.3 8-203-070 7 8.75 M30X3.5 6.6 8-203-110 11 13.75 M36X4 15.0 8-203-125 12.5 15.6 M42X4.5 16.0 8-203-135 13.5 16.9 M48X5 16.0 8-203-155 15.5 19.4 M56X5.5 19.1 8-203-223 22.3 27.9 M64X6 23.0 ITEM NO.	Certificate	ABS, LR, BV, DNVGL, NK, KR, IRS, RMRS, CCS
Warranty	12 Months unless specified otherwise	Origin	China

CONTENTS	<ul style="list-style-type: none"> 8-203 Yoke Rotary Hoist Rings Screw With Metric Thread Drawing 8-203 Yoke Rotary Hoist Rings Screw With Metric Thread Parameters
-----------------	---

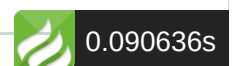
8-203 Yoke Rotary Hoist Rings Screw With Metric Thread Drawing



8-203 Yoke Rotary Hoist Rings Screw With Metric Thread Parameters

ITEM NO.	WLL/T		THREAD/M	WEIGHT /KG
	5:1	4:1		
8-203-004	0.4	0.5	M8X1.25	0.4
8-203-005	0.45	0.55	M10X1.5	0.5
8-203-005L	0.45	0.55	M10X1.5	0.5
8-203-010	1.05	1.3	M12X1.75	1.7
8-203-010L	1.05	1.3	M12X1.75	1.7
8-203-019	1.90	2.4	M16X2	1.8
8-203-019L	1.90	2.4	M16X2	1.8
8-203-021	2.15	2.7	M20X2.5	1.8
8-203-021L	2.15	2.7	M20X2.5	1.9
8-203-030	3	3.75	M20X2.5	4.0
8-203-030L	3	3.75	M20X2.5	5.2
8-203-042	4.2	5.25	M24X3	4.2
8-203-042L	4.2	5.25	M24X3	4.3
8-203-070	7	8.75	M30X3.5	6.6
8-203-110	11	13.75	M36X4	15.0
8-203-125	12.5	15.6	M42X4.5	16.0
8-203-135	13.5	16.9	M48X5	16.0
8-203-155	15.5	19.4	M56X5.5	19.1
8-203-223	22.3	27.9	M64X6	23.0

ITEM NO.	TECHNICAL PARAMETERS/MM		
	A	B	D
8-203-004	40	41	9
8-203-005	40	41	9
8-203-005L	40	41	9
8-203-010	65	64	15
8-203-010L	65	64	15
8-203-019	65	64	15
8-203-019L	65	64	15
8-203-021	65	64	15



8-203-021L	65	64	15
8-203-030	85	79	19
8-203-030L	85	79	19
8-203-042	85	79	19
8-203-042L	85	79	19
8-203-070	100	100	25
8-203-110	120	111	30
8-203-125	120	111	30
8-203-135	120	111	30
8-203-155	138	109	34
8-203-223	138	100	38
ITEM NO.	TECHNICAL PARAMETERS/MM		
	E	F	G
8-203-004	17	102	65
8-203-005	11	102	65
8-203-005L	26	102	65
8-203-010	15	158	105
8-203-010L	30	158	105
8-203-019	20	158	105
8-203-019L	35	158	105
8-203-021	25	158	105
8-203-021L	45	158	105
8-203-030	25	204	105
8-203-030L	45	204	134
8-203-042	26	204	134
8-203-042L	56	204	134
8-203-070	81	241	160
8-203-110	76	286	194
8-203-125	65	286	220
8-203-135	70	286	220
8-203-155	79	308	241
8-203-223	78	312	241