

CHAIN SLING

8-204 Yoke Rotary Hoist Rings Screw With Unc Thread

ISO9001 Supplier

Class Certificate

Export Supply

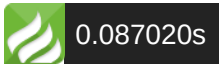
8-204 Yoke Rotary Hoist Rings Screw With Unc Thread Drawing 8-204 Yoke Rotary Hoist Rings Screw With Unc Thread Parameters ITEM NO. WLL/LBS TPI...



Key Highlights

Category	Chain Sling
Weight / Size	WLL/LBS TPI WEIGHT/KG 8-204-004 800 5/16-18UNC 0.9 8-204-005 1000 3/8-16...
Certificate	ABS, LR, BV, DNVGL, NK, KR, IRS, RMRS, CCS

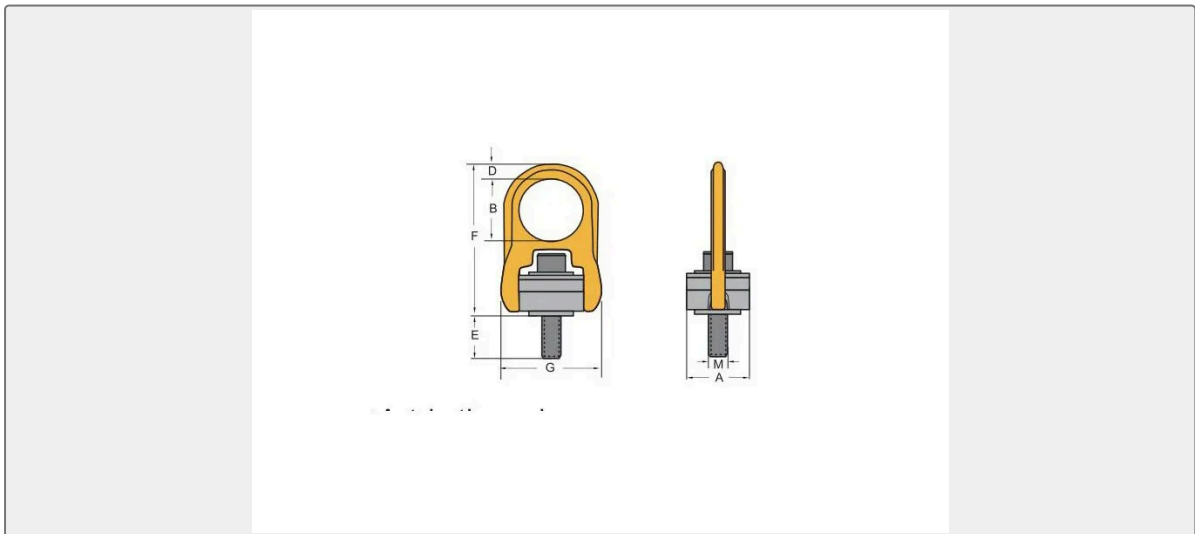
We can supply according to your requirement, drawings, class certificate needs, and delivery schedule.



Technical Specifications			
Category	Chain Sling	Model / SKU	8-204-Yoke-Rotary-Hoist-Rings-Screw-With-Unc-Thread
Weight / Size	WLL/LBS TPI WEIGHT/KG 8-204-004 800 5/16-18UNC 0.9 8-204-005 1000 3/8-16UNC 0.9 8-204-010 2500 1/2-13UNC 3.7 8-204-010L 2500 1/2-13UNC 3.7 8-204-019 4000 5/8-11UNC 4.0 8-204-019L 4000 5/8-11UNC 4.0 8-204-021 5000 3/4-10UNC 4.0 8-204-021L 5000 3/4-10UNC 4.2 8-204-030 7000 3/4-10UNC 8.8 8-204-030L 7000 3/4-10UNC 9.5 8-204-042 8000 7/8-9UNC 9.3 8-204-042L 8000 7/8-9UNC 9.7 8-204-045 10000 1-8UNC 9.5 8-204-045L 10000 1-8UNC 10.1 8-204-070 15000 1 1/4-7UNC 14.5 8-204-125 24000 1 1/2-6UNC 35.2 8-204-135 30000 2-4.5UNC 35.2 ITEM NO.	Certificate	ABS, LR, BV, DNVGL, NK, KR, IRS, RMRS, CCS
Warranty	12 Months unless specified otherwise	Origin	China

CONTENTS	<ul style="list-style-type: none"> 8-204 Yoke Rotary Hoist Rings Screw With Unc Thread Drawing 8-204 Yoke Rotary Hoist Rings Screw With Unc Thread Parameters
-----------------	---

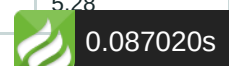
8-204 Yoke Rotary Hoist Rings Screw With Unc Thread Drawing



8-204 Yoke Rotary Hoist Rings Screw With Unc Thread Parameters

ITEM NO.	WLL/LBS	TPI	WEIGHT/KG
8-204-004	800	5/16-18UNC	0.9
8-204-005	1000	3/8-16UNC	0.9
8-204-010	2500	1/2-13UNC	3.7
8-204-010L	2500	1/2-13UNC	3.7
8-204-019	4000	5/8-11UNC	4.0
8-204-019L	4000	5/8-11UNC	4.0
8-204-021	5000	3/4-10UNC	4.0
8-204-021L	5000	3/4-10UNC	4.2
8-204-030	7000	3/4-10UNC	8.8
8-204-030L	7000	3/4-10UNC	9.5
8-204-042	8000	7/8-9UNC	9.3
8-204-042L	8000	7/8-9UNC	9.7
8-204-045	10000	1-8UNC	9.5
8-204-045L	10000	1-8UNC	10.1
8-204-070	15000	1 1/4-7UNC	14.5
8-204-125	24000	1 1/2-6UNC	35.2
8-204-135	30000	2-4.5UNC	35.2

ITEM NO.	TECHNICAL PARAMETERS/MM					
	A	B	D	E	F	G
8-204-004						
8-204-005	1.57	1.61	0.35	0.71	4.02	2.56
8-204-010	1.57	1.61	0.35	0.71	4.02	2.56
8-204-010L	2.56	2.32	0.59	0.75	6.26	4.13
8-204-019	2.56	2.32	0.59	1.26	6.26	4.13
8-204-019L	2.56	2.32	0.59	0.74	6.26	4.13
8-204-021	2.56	2.32	0.59	1.75	6.26	4.13
8-204-021L	2.56	2.87	0.59	1.24	6.26	4.13
8-204-030	2.56	2.87	0.59	1.73	6.26	4.13
8-204-030L	2.56	2.87	0.87	0.87	8.03	5.28
8-204-042	3.95	2.87	0.87	1.43	8.03	5.28
8-204-042L	3.95	2.87	0.87	2.37	8.03	5.28



8-204-045	3.95	2.87	0.87	1.36	8.03	5.28
8-204-045L	3.95	2.87	0.87	2.36	8.03	5.28
8-204-070	3.95	3.15	1	2.25	8.58	6.30
8-204-125	4.72	4.29	1.38	2.17	12.09	8.66
8-204-135	4.72	4.29	1.38	3.01	12.09	8.66