


**CHAIN SLING**

# 8-211 YOKE Lifting Point With Metric Thread

- ISO9001 Supplier
- Class Certificate
- Export Supply

8-211 YOKE Lifting Point With Metric Thread Drawing 8-211 YOKE Lifting Point With Metric Thread Parameters ITEM NO. WLL/T THREAD/M ...

	<h3 style="margin: 0;">Key Highlights</h3> <table border="1" style="width: 100%; border-collapse: collapse; margin-top: 10px;"> <tr> <td style="background-color: #1a3d4d; color: white; padding: 5px;"><b>Category</b></td> <td style="padding: 5px;">Chain Sling</td> </tr> <tr> <td style="background-color: #1a3d4d; color: white; padding: 5px;"><b>Weight / Size</b></td> <td style="padding: 5px;">WLL/T THREAD/M WEIGHT/KG 8-211-003 0.3 M8X1.25 0.2 8-211-006 0.63 M10X1....</td> </tr> <tr> <td style="background-color: #1a3d4d; color: white; padding: 5px;"><b>Certificate</b></td> <td style="padding: 5px;">ABS, LR, BV, DNVGL, NK, KR, IRS, RMRS, CCS</td> </tr> </table> <p style="font-size: small; margin-top: 10px;">We can supply according to your requirement, drawings, class certificate needs, and delivery schedule.</p>	<b>Category</b>	Chain Sling	<b>Weight / Size</b>	WLL/T THREAD/M WEIGHT/KG 8-211-003 0.3 M8X1.25 0.2 8-211-006 0.63 M10X1....	<b>Certificate</b>	ABS, LR, BV, DNVGL, NK, KR, IRS, RMRS, CCS
<b>Category</b>	Chain Sling						
<b>Weight / Size</b>	WLL/T THREAD/M WEIGHT/KG 8-211-003 0.3 M8X1.25 0.2 8-211-006 0.63 M10X1....						
<b>Certificate</b>	ABS, LR, BV, DNVGL, NK, KR, IRS, RMRS, CCS						

Technical Specifications			
<b>Category</b>	Chain Sling	<b>Model / SKU</b>	8-211-YOKE-Lifting-Point-With-Metric-Thread
<b>Weight / Size</b>	WLL/T THREAD/M WEIGHT/KG 8-211-003 0.3 M8X1.25 0.2 8-211-006 0.63 M10X1.5 0.3 8-211-010 1 M12X1.75 0.5 8-211-012 1.2 M14X2.0 0.5 8-211-015 1.5 M16X2 0.5 8-211-020 2 M18X2 1.3 8-211-025 2.5 M20X2.5 1.3 8-211-040 4 M24X3 1.4 8-211-042 4 M27X3 2.8 8-211-050 5 M30X3.5 3.1 8-211-070 7 M36X4 3.3 8-211-080 8 M36X4 5.8 8-211-100 10 M42X4.5 6.3 8-211-150 15 M42X4.5 10.8 8-211-200 20 M48X5 11.6 ITEM NO.	<b>Certificate</b>	ABS, LR, BV, DNVGL, NK, KR, IRS, RMRS, CCS
<b>Warranty</b>	12 Months unless specified otherwise	<b>Origin</b>	China

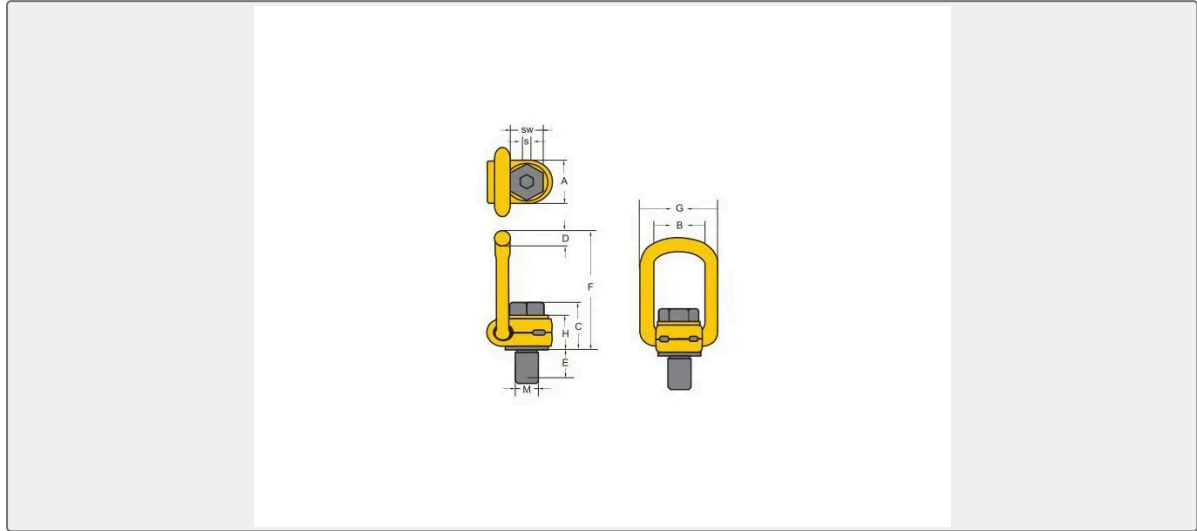


## CONTENTS

- 8-211 YOKE Lifting Point With Metric Thread Drawing

- 8-211 YOKE Lifting Point With Metric Thread Parameters

## 8-211 YOKE Lifting Point With Metric Thread Drawing



## 8-211 YOKE Lifting Point With Metric Thread Parameters

ITEM NO.	WLL/T	THREAD/M	WEIGHT/KG
8-211-003	0.3	M8X1.25	0.2
8-211-006	0.63	M10X1.5	0.3
8-211-010	1	M12X1.75	0.5
8-211-012	1.2	M14X2.0	0.5
8-211-015	1.5	M16X2	0.5
8-211-020	2	M18X2	1.3
8-211-025	2.5	M20X2.5	1.3
8-211-040	4	M24X3	1.4
8-211-042	4	M27X3	2.8
8-211-050	5	M30X3.5	3.1
8-211-070	7	M36X4	3.3
8-211-080	8	M36X4	5.8
8-211-100	10	M42X4.5	6.3
8-211-150	15	M42X4.5	10.8
8-211-200	20	M48X5	11.6

ITEM NO.	TECHNICAL PARAMETERS/MM				
	A	B	C	D	E
					 0.085758s

8-211-003	30	35	35	10	11
8-211-006	30	35	36	10	16
8-211-010	33	37	44	14	18
8-211-012	33	37	45	14	21
8-211-015	33	37	46	14	24
8-211-020	50	54	57	17	26
8-211-025	50	54	57	17	30
8-211-040	50	54	59	17	36
8-211-042	60	65	79	23	38
8-211-050	60	65	81	23	45
8-211-070	60	65	88	23	54
8-211-080	77	85	101	27	62
8-211-100	77	85	104	27	72
8-211-150	95	104	112	36	63
8-211-200	95	104	120	36	72
ITEM NO.	TECHNICAL PARAMETERS/MM				
	F	G	H	S	SW
8-211-003	85	55	29	6	13
8-211-006	85	55	29	6	17
8-211-010	98	57	36	8	19
8-211-012	98	57	36	10	22
8-211-015	98	57	36	10	24
8-211-020	140	82	44	12	30
8-211-025	140	82	44	12	30
8-211-040	140	82	44	14	36
8-211-042	170	99	62	17	41
8-211-050	170	99	62	17	46
8-211-070	178	99	65	22	55
8-211-080	225	124	78	22	55
8-211-100	225	124	78	24	65
8-211-150	256	158	86	24	65
8-211-200	259	158	90	27	75