

CHAIN SLING

8-212 YOKE Lifting Point With Unc Thread

ISO9001 Supplier

Class Certificate

Export Supply

8-212 YOKE Lifting Point With Unc Thread Drawing 8-212 YOKE Lifting Point With Unc Thread Parameters ITEM NO. WLL/T TPI WEIGH...



Key Highlights

Category	Chain Sling
Weight / Size	WLL/T TPI WEIGHT/KG 8-212-010 1 1/2-13UNC 1.1 8-212-015 1.5 5/8-11UNC 1....
Certificate	ABS, LR, BV, DNVGL, NK, KR, IRS, RMRS, CCS

We can supply according to your requirement, drawings, class certificate needs, and delivery schedule.

Technical Specifications

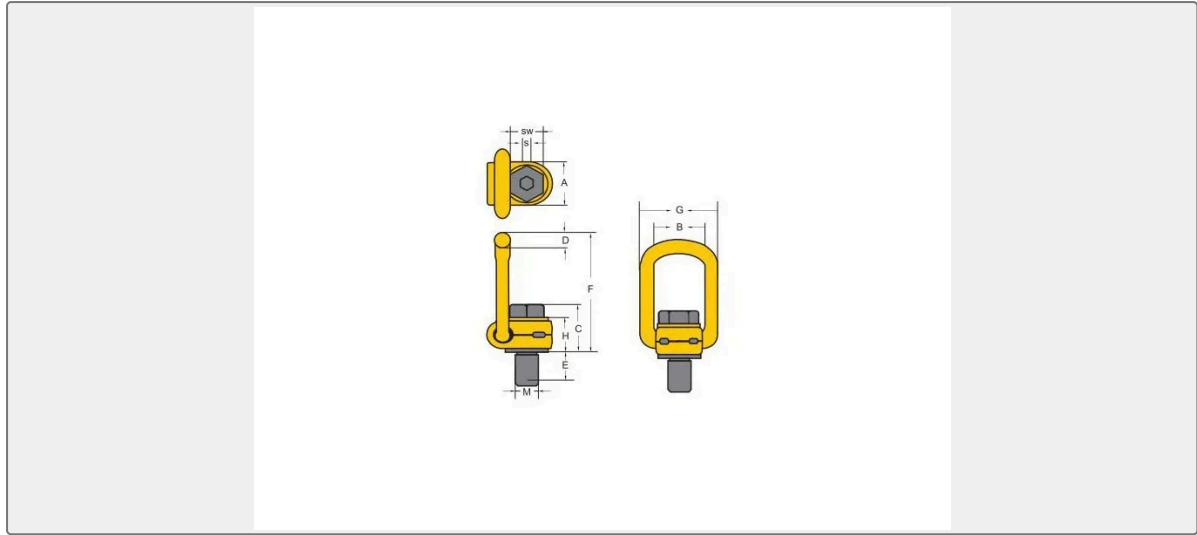
Category	Chain Sling	Model / SKU	8-212-YOKE-Lifting-Point-With-Unc-Thread
Weight / Size	WLL/T TPI WEIGHT/KG 8-212-010 1 1/2-13UNC 1.1 8-212-015 1.5 5/8-11UNC 1.1 8-212-020 2.5 3/4-10UNC 2.9 8-212-025 2.5 7/8-9UNC 2.9 8-212-040 4 1-8UNC 3.1 8-212-050 5 1 1/4-7UNC 6.8 8-212-080 8 1 1/2-6UNC 12.8 8-212-150 15 1 3/4-5UNC 24.0 8-212-200 20 2-4.5UNC 25.5 ITEM NO.	Certificate	ABS, LR, BV, DNVGL, NK, KR, IRS, RMRS, CCS
Warranty	12 Months unless specified otherwise	Origin	China

CONTENTS

- 8-212 YOKE Lifting Point With Unc Thread Drawing
- 8-212 YOKE Lifting Point With Unc Thread Parameters



8-212 YOKE Lifting Point With Unc Thread Drawing



8-212 YOKE Lifting Point With Unc Thread Parameters

ITEM NO.	WLL/T	TPI	WEIGHT/KG
8-212-010	1	1/2-13UNC	1.1
8-212-015	1.5	5/8-11UNC	1.1
8-212-020	2.5	3/4-10UNC	2.9
8-212-025	2.5	7/8-9UNC	2.9
8-212-040	4	1-8UNC	3.1
8-212-050	5	1 1/4-7UNC	6.8
8-212-080	8	1 1/2-6UNC	12.8
8-212-150	15	1 3/4-5UNC	24.0
8-212-200	20	2-4.5UNC	25.5

ITEM NO.	TECHNICAL PARAMETERS/MM				
	A	B	C	D	E
8-212-010	1.3	1.46	1.73	0.53	0.75
8-212-015	1.3	1.46	1.81	0.53	0.94
8-212-020	1.97	2.13	2.2	0.65	1.1
8-212-025	1.97	2.13	2.28	0.65	1.1
8-212-040	1.97	2.13	2.34	0.65	1.61
8-212-050	2.36	2.56	3.23	0.89	1.61
8-212-080	3.03	3.35	4.01	1.04	2.25
8-212-150	3.74	4.09	4.48	1.42	2.63

8-212-200	3.74	4.09	4.76	1.42	3
ITEM NO.	TECHNICAL PARAMETERS/MM				
	F	G	H	S	SW
8-212-010	3.86	2.24	1.42	5/16	3/4
8-212-015	3.86	2.24	1.42	3/8	15/16
8-212-020	5.51	3.23	1.73	1/2	1 1/8
8-212-025	5.51	3.23	1.73	5/8	1 1/3
8-212-040	5.51	3.23	1.73	5/8	1 1/2
8-212-050	6.69	3.9	2.44	7/8	1 7/8
8-212-080	8.86	4.88	3.07	1	2 1/4
8-212-150	10.08	6.22	3.39	1	2 5/8
8-212-200	10.20	6.22	3.54	1 1/4	3