

# Jinbo Marine

Marine &amp; Offshore Equipment Datasheet

PRODUCT DATASHEET

## CHAIN SLING

## 8-231 Yoke Rotary Anchor Point With Metric Thread

ISO9001 Supplier

Class Certificate

Export Supply

8-231 Yoke Rotary Anchor Point With Metric Thread Drawing 8-231 Yoke Rotary Anchor Point With Metric Thread Parameters ITEM NO. WLL/T THREAD/M ...



### Key Highlights

<b>Category</b>	Chain Sling
<b>Weight / Size</b>	WLL/T THREAD/M WEIGHT/KG Y (Z) 8-231-005 0.5 0.8 M8X1.25 0.3 8-231-007 0...
<b>Certificate</b>	ABS, LR, BV, DNVGL, NK, KR, IRS, RMRS, CCS

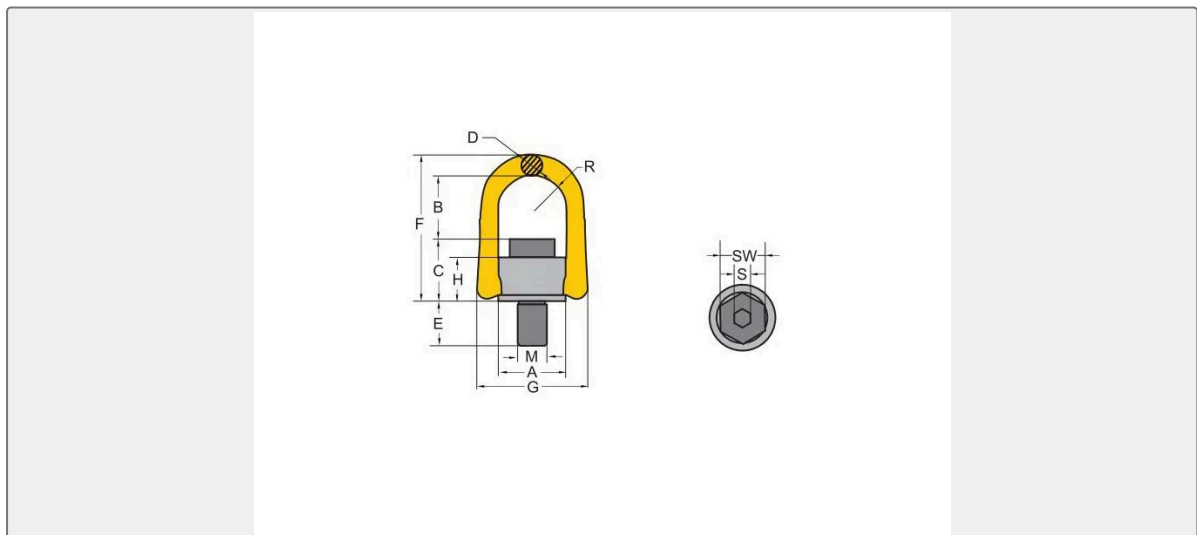
We can supply according to your requirement, drawings, class certificate needs, and delivery schedule.



Technical Specifications			
Category	Chain Sling	Model / SKU	8-231-Yoke-Rotary-Anchor-Point-With-Metric-Thread
Weight / Size	WLL/T THREAD/M WEIGHT/KG Y (Z) 8-231-005 0.5 0.8 M8X1.25 0.3 8-231-007 0.7 1.2 M10X1.5 0.3 8- 231-010 1 2 M12X1.75 0.3 8-231- 015 1.5 2.4 M14X2 0.9 8-231-020 2 3.2 M16X2 0.9 8-231-025 2.5 5 M18X2.5 1.9 8-231-030 3 5.6 M20X2.5 1.0 8-231-050 5 9.2 M24X3 2.6 8-231-056 5.6 9.2 M27X3 4.9 8-231-078 7.8 12 M30X3.5 5.0 8-231-125 12.5 14 M36X4 9.6 8-231-156 15.6 16 M42X4.5 10.9 8-231-200 20 20 M48X5 11.6 8-231-220 22 22 M56X5.5 15.0 8-231-225 22.5 22.5 M64X6 16.3 ITEM NO.	Certificate	ABS, LR, BV, DNVGL, NK, KR, IRS, RMRS, CCS
Warranty	12 Months unless specified otherwise	Origin	China

CONTENTS	■ 8-231 Yoke Rotary Anchor Point With Metric Thread Drawing	■ 8-231 Yoke Rotary Anchor Point With Metric Thread Parameters
----------	---	--

## 8-231 Yoke Rotary Anchor Point With Metric Thread Drawing



## 8-231 Yoke Rotary Anchor Point With Metric Thread Parameters

ITEM NO.	WLL/T	THREAD/M	WEIGHT /KG
	Y	(Z)	0.075984s

8-231-005	0.5	0.8	M8X1.25	0.3
8-231-007	0.7	1.2	M10X1.5	0.3
8-231-010	1	2	M12X1.75	0.3
8-231-015	1.5	2.4	M14X2	0.9
8-231-020	2	3.2	M16X2	0.9
8-231-025	2.5	5	M18X2.5	1.9
8-231-030	3	5.6	M20X2.5	1.0
8-231-050	5	9.2	M24X3	2.6
8-231-056	5.6	9.2	M27X3	4.9
8-231-078	7.8	12	M30X3.5	5.0
8-231-125	12.5	14	M36X4	9.6
8-231-156	15.6	16	M42X4.5	10.9
8-231-200	20	20	M48X5	11.6
8-231-220	22	22	M56X5.5	15.0
8-231-225	22.5	22.5	M64X6	16.3

ITEM NO.	TECHNICAL PARAMETERS/MM				
	A	B	C	D	E
8-231-005	33	42	28	11	12
8-231-007	33	41	29	11	15
8-231-010	33	40	31	11	20
8-231-015	50	56	45	17	21
8-231-020	50	54	46	17	24
8-231-025	65	78	57	20	26
8-231-030	50	52	49	17	30
8-231-050	72	81	59	25	36
8-231-056	87	86	79	30	38
8-231-078	87	94	81	30	48
8-231-125	110	112	98	36	54
8-231-156	110	101	108	36	63
8-231-200	110	97	113	36	72
8-231-220	123	116	121	36	84
8-231-225	123	111	126	36	100



ITEM NO.	TECHNICAL PARAMETERS/MM					
	F	G	H	R	S	SW
8-231-005	80	58	23	17	6	13
8-231-007	80	58	23	17	6	17
8-231-010	80	58	23	17	8	19
8-231-015	117	90	36	27	10	22
8-231-020	117	90	36	27	10	24
8-231-025	153	108	44	34	12	30
8-231-030	117	90	36	27	12	30
8-231-050	163	125	44	37	14	36
8-231-056	204	148	62	46	17	41
8-231-078	204	148	62	46	17	46
8-231-125	247	188	75	57	22	55
8-231-156	247	188	83	57	24	65
8-231-200	248	188	83	57	27	75
8-231-220	274	202	91	64	27	85
8-231-225	274	202	91	64	32	95

