

CHAIN SLING

8-232 Yoke Rotary Anchor Point With Unc Thread

ISO9001 Supplier

Class Certificate

Export Supply

8-232 Yoke Rotary Anchor Point With Unc Thread Drawing 8-232 Yoke Rotary Anchor Point With Unc Thread Parameters ITEM NO. WLL/T TPI ...



Key Highlights

Category	Chain Sling
Weight / Size	WLL/T TPI WEIGHT/KG Y (Z) 8-232-010 0.8 1.6 1/2-13UNC 1.8 8-232-020 1.6 ...
Certificate	ABS, LR, BV, DNVGL, NK, KR, IRS, RMRS, CCS

We can supply according to your requirement, drawings, class certificate needs, and delivery schedule.

Technical Specifications

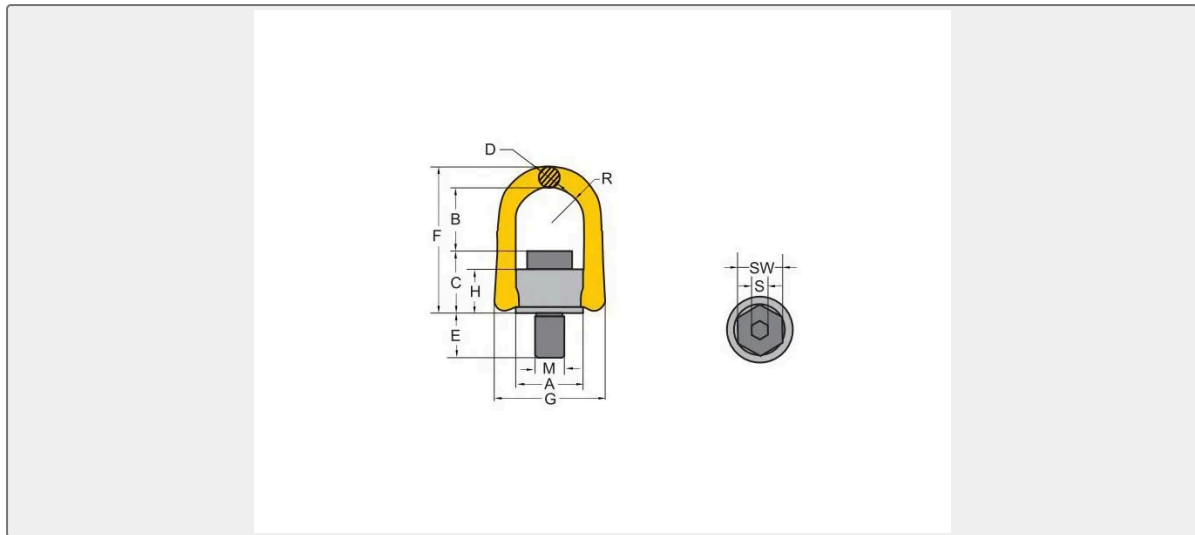
Category	Chain Sling	Model / SKU	8-232-Yoke-Rotary-Anchor-Point-With-Unc-Thread
Weight / Size	WLL/T TPI WEIGHT/KG Y (Z) 8-232-010 0.8 1.6 1/2-13UNC 1.8 8-232-020 1.6 2.6 5/8-11UNC 2 8-232-030 2.4 4 3/4-10UNC 2.2 8-232-038 3 4.5 7/8-9UNC 4.3 8-232-050 4.5 7.4 1-8UNC 5.7 8-232-078 6.25 9.6 1 1/4-7UNC 11 8-232-125 10 11 1 1/2-6UNC 21.2 8-232-200 16 16 2-4.5UNC 25.6 ITEM NO.	Certificate	ABS, LR, BV, DNVGL, NK, KR, IRS, RMRS, CCS
Warranty	12 Months unless specified otherwise	Origin	China

CONTENTS

- 8-232 Yoke Rotary Anchor Point With Unc Thread Drawing
- 8-232 Yoke Rotary Anchor Point With Unc Thread Parameters



8-232 Yoke Rotary Anchor Point With Unc Thread Drawing



8-232 Yoke Rotary Anchor Point With Unc Thread Parameters

ITEM NO.	WLL/T		TPI	WEIGHT /KG
	Y	(Z)		
8-232-010	0.8	1.6	1/2-13UNC	1.8
8-232-020	1.6	2.6	5/8-11UNC	2
8-232-030	2.4	4	3/4-10UNC	2.2
8-232-038	3	4.5	7/8-9UNC	4.3
8-232-050	4.5	7.4	1-8UNC	5.7
8-232-078	6.25	9.6	1 1/4-7UNC	11
8-232-125	10	11	1 1/2-6UNC	21.2
8-232-200	16	16	2-4.5UNC	25.6

ITEM NO.	TECHNICAL PARAMETERS/MM				
	A	B	C	D	E
8-232-010	1.3	1.57	12	0.41	0.81
8-232-020	1.97	2.13	1.81	0.65	1.13
8-232-030	1.97	2.07	1.89	0.65	1.54
8-232-038	2.56	2.99	2.28	0.79	1.42
8-232-050	2.81	3.17	2.34	0.98	1.61
8-232-078	3.43	3.66	3.23	1.18	2.09
8-232-125	4.29	4.38	3.87	1.42	2.40
8-232-200	4.61	3.8	1.20	1.42	3.00

ITEM NO.	TECHNICAL PARAMETERS/MM					
	F	G	H	R	S	SW
8-232-010	3.17	2.28	0.9	0.67	5/16	3/4
8-232-020	4.61	3.54	1.42	1.06	3/8	15/16
8-232-030	4.61	3.54	1.42	1.06	1/2	1 1/8
8-232-038	6.02	4.25	1.73	1.34	5/8	1 1/1
8-232-050	6.38	4.92	1.73	1.46	5/8	1 1/2
8-232-078	8.07	5.83	2.44	1.79	7/8	1 7/8
8-232-125	9.92	7.4	3.07	2.22	1	2 1/4
8-232-200	9.93	7.71	3.35	2.38	1 1/4	3