


CHAIN SLING

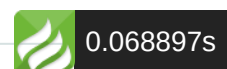
8-291k Metric Thread Yoke Eye Type Rotary Point With Stopplate

- ISO9001 Supplier
- Class Certificate
- Export Supply

8-291k Metric Thread Yoke Eye Type Rotary Point With Stopplate Drawing 8-291k Metric Thread Yoke Eye Type Rotary Point With Stopplate Parameters ITEM NO. ...

	<div style="background-color: #1a3d4d; color: white; padding: 5px;">Key Highlights</div> <table border="1" style="width: 100%; border-collapse: collapse; margin-top: 5px;"> <tr> <td style="width: 20%;">Category</td> <td>Chain Sling</td> </tr> <tr> <td>Weight / Size</td> <td>WLL/T M WEIGHT/KG X (Z) 8-291k-003 0.3 (1) M8X1.25 0.1 8-291k-004 0.4 (1...)</td> </tr> <tr> <td>Certificate</td> <td>ABS, LR, BV, DNVGL, NK, KR, IRS, RMRS, CCS</td> </tr> </table> <p style="font-size: small; margin-top: 10px;">We can supply according to your requirement, drawings, class certificate needs, and delivery schedule.</p>	Category	Chain Sling	Weight / Size	WLL/T M WEIGHT/KG X (Z) 8-291k-003 0.3 (1) M8X1.25 0.1 8-291k-004 0.4 (1...)	Certificate	ABS, LR, BV, DNVGL, NK, KR, IRS, RMRS, CCS
Category	Chain Sling						
Weight / Size	WLL/T M WEIGHT/KG X (Z) 8-291k-003 0.3 (1) M8X1.25 0.1 8-291k-004 0.4 (1...)						
Certificate	ABS, LR, BV, DNVGL, NK, KR, IRS, RMRS, CCS						

Technical Specifications			
Category	Chain Sling	Model / SKU	8-291k-Metric-Thread-Yoke-Eye-Type-Rotary-Point-With-Stopplate
Weight / Size	WLL/T M WEIGHT/KG X (Z) 8-291k-003 0.3 (1) M8X1.25 0.1 8-291k-004 0.4 (1) M10X1.5 0.1 8-291k-007 0.75 (2) M12X1.75 0.2 8-291k-015 1.5 (4) M16X2 0.3 8-291k-023 2.3 (6) M20X2.5 0.6 8-291k-032 3.2 (8) M24X3 1.0 8-291k-045 4.5 (12) M30X3.5 1.8 8-291k-070 7.0 (16) M36X4 3.2 8-291k-090 9.0 (24) M42X4.5 5.0 8-291k-120 12.0 (32) M48X5 7.6 8-291k-140 12.0 (32) M56X5.5 9.2 8-291k-150 12.0 (32) M64X6 10.0 ITEM NO.	Certificate	ABS, LR, BV, DNVGL, NK, KR, IRS, RMRS, CCS
Warranty	12 Months unless specified otherwise	Origin	China

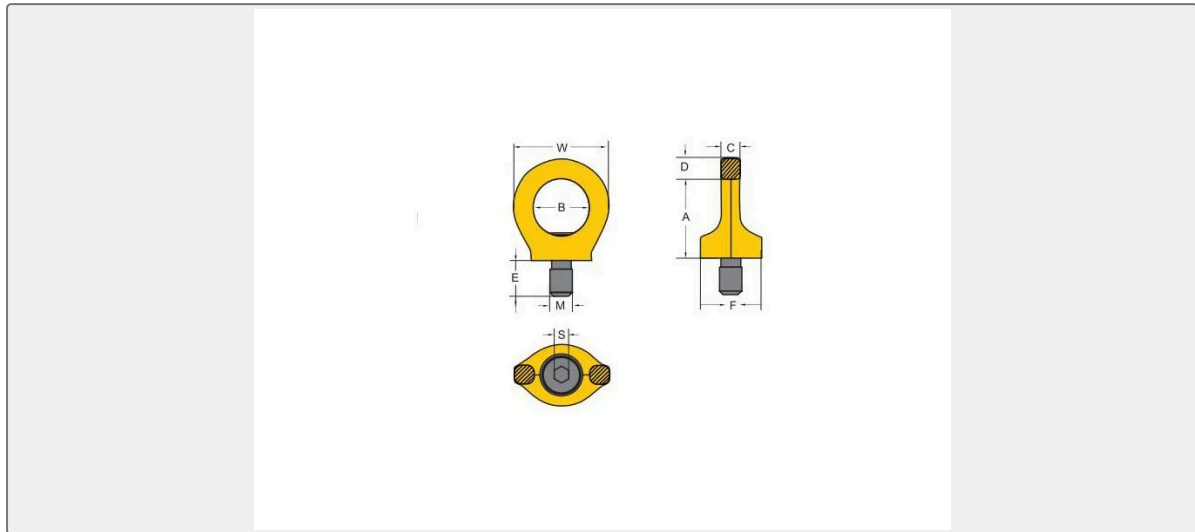


CONTENTS

- 8-291k Metric Thread Yoke Eye Type Rotary Point With Stopplate Drawing

- 8-291k Metric Thread Yoke Eye Type Rotary Point With Stopplate Parameters

8-291k Metric Thread Yoke Eye Type Rotary Point With Stopplate Drawing



8-291k Metric Thread Yoke Eye Type Rotary Point With Stopplate Parameters

ITEM NO.	WLL/T		M	WEIGHT /KG
	X	(Z)		
8-291k-003	0.3	(1)	M8X1.25	0.1
8-291k-004	0.4	(1)	M10X1.5	0.1
8-291k-007	0.75	(2)	M12X1.75	0.2
8-291k-015	1.5	(4)	M16X2	0.3
8-291k-023	2.3	(6)	M20X2.5	0.6
8-291k-032	3.2	(8)	M24X3	1.0
8-291k-045	4.5	(12)	M30X3.5	1.8
8-291k-070	7.0	(16)	M36X4	3.2
8-291k-090	9.0	(24)	M42X4.5	5.0
8-291k-120	12.0	(32)	M48X5	7.6
8-291k-140	12.0	(32)	M56X5.5	9.2
8-291k-150	12.0	(32)	M64X6	10.0
ITEM NO.	TECHNICAL PARAMETERS/MM			
	A	B	C	D
8-291k-003	36	25	8	9
8-291k-004	36	25	8	9

8-291k-007	45	30	10	11
8-291k-015	52	35	14	13
8-291k-023	60	40	16	15
8-291k-032	72	48	19	18
8-291k-045	90	60	24	22
8-291k-070	109	72	29	27
8-291k-090	123	82	34	32
8-291k-120	144	94	38	37
8-291k-140	147	102	40	43
8-291k-150	147	102	40	43
ITEM NO.	TECHNICAL PARAMETERS/MM			
	E	F	S	W
8-291k-003	12	25	6	44
8-291k-004	15	25	6	44
8-291k-007	18	33	8	52
8-291k-015	24	35	10	61
8-291k-023	30	44	12	70
8-291k-032	36	52	14	84
8-291k-045	45	60	17	105
8-291k-070	54	76	22	126
8-291k-090	63	88	24	147
8-291k-120	72	104	27	168
8-291k-140	84	124	27	178
8-291k-150	95	124	27	178