

CHAIN SLING

8-292k Unc Thread Yoke Eye Type Rotary Point With Stopplate

ISO9001 Supplier

Class Certificate

Export Supply

8-292k Unc Thread Yoke Eye Type Rotary Point With Stopplate Drawing 8-292k Unc Thread Yoke Eye Type Rotary Point With Stopplate Parameters ITEM NO. ...



Key Highlights

Category	Chain Sling
Weight / Size	WLL/T TPI WEIGHT/KG X (Z) 8-292K-003 0.3 (1) 5/16-18UNC 0.2 8-292K-004 0.4 (1) 3/8-16UNC 0.2 8-292K-007 0.75 (2) 1/2-13UNC 0.4 8-292K-015 1.5 (4) 5/8-11UNC 0.7 8-292K-023 2.3 (6) 3/4-10UNC 1.3 8-292K-025 2.3 (6) 7/8-9UNC 1.3 8-292K-032 3.2 (8) 1-8UNC 2.2 8-292K-045 4.5 (12) 1 1/4-7UNC 4.0 8-292K-070 7.0 (16) 1 1/2-6UNC 7.0 8-292K-090 9.0 (24) 1 3/4-5UNC 11.0 8-292K-120 12.0 (32) 2-4.5UNC 16.7 ITEM NO.
Certificate	ABS, LR, BV, DNVGL, NK, KR, IRS, RMRS, CCS

We can supply according to your requirement, drawings, class certificate needs, and delivery schedule.

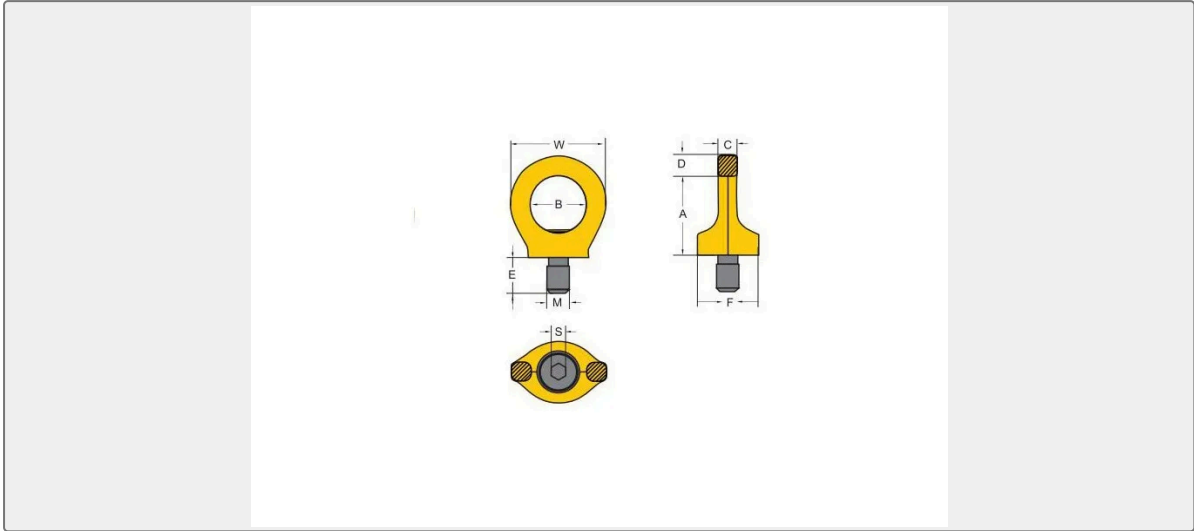
Technical Specifications

Category	Chain Sling	Model / SKU	8-292k-Unc-Thread-Yoke-Eye-Type-Rotary-Point-With-Stopplate
Weight / Size	WLL/T TPI WEIGHT/KG X (Z) 8-292K-003 0.3 (1) 5/16-18UNC 0.2 8-292K-004 0.4 (1) 3/8-16UNC 0.2 8-292K-007 0.75 (2) 1/2-13UNC 0.4 8-292K-015 1.5 (4) 5/8-11UNC 0.7 8-292K-023 2.3 (6) 3/4-10UNC 1.3 8-292K-025 2.3 (6) 7/8-9UNC 1.3 8-292K-032 3.2 (8) 1-8UNC 2.2 8-292K-045 4.5 (12) 1 1/4-7UNC 4.0 8-292K-070 7.0 (16) 1 1/2-6UNC 7.0 8-292K-090 9.0 (24) 1 3/4-5UNC 11.0 8-292K-120 12.0 (32) 2-4.5UNC 16.7 ITEM NO.	Certificate	ABS, LR, BV, DNVGL, NK, KR, IRS, RMRS, CCS
Warranty	12 Months unless specified otherwise	Origin	China



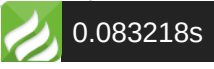
CONTENTS	■ 8-292k Unc Thread Yoke Eye Type Rotary Point With Stopplate Drawing	■ 8-292k Unc Thread Yoke Eye Type Rotary Point With Stopplate Parameters

8-292k Unc Thread Yoke Eye Type Rotary Point With Stopplate Drawing



8-292k Unc Thread Yoke Eye Type Rotary Point With Stopplate Parameters

ITEM NO.	WLL/T		TPI	WEIGHT /KG
	X	(Z)		
8-292K-003	0.3	(1)	5/16-18UNC	0.2
8-292K-004	0.4	(1)	3/8-16UNC	0.2
8-292K-007	0.75	(2)	1/2-13UNC	0.4
8-292K-015	1.5	(4)	5/8-11UNC	0.7
8-292K-023	2.3	(6)	3/4-10UNC	1.3
8-292K-025	2.3	(6)	7/8-9UNC	1.3
8-292K-032	3.2	(8)	1-8UNC	2.2
8-292K-045	4.5	(12)	1 1/4-7UNC	4.0
8-292K-070	7.0	(16)	1 1/2-6UNC	7.0
8-292K-090	9.0	(24)	1 3/4-5UNC	11.0
8-292K-120	12.0	(32)	2-4.5UNC	16.7
ITEM NO.	TECHNICAL PARAMETERS/MM			
	A	B	C	D
8-292K-003	1.42	0.98	0.31	0.35
8-292K-004	1.42	0.98	0.31	0.35
8-292K-007	1.77	1.18	0.39	0.43



8-292K-015	2.05	1.38	0.55	0.51
8-292K-023	2.36	1.57	0.63	0.59
8-292K-025	2.36	1.57	0.63	0.59
8-292K-032	2.84	1.89	0.75	0.71
8-292K-045	3.54	2.36	0.94	0.87
8-292K-070	4.29	2.83	1.14	1
8-292K-090	4.84	3.23	1.34	1.26
8-292K-120	5.67	3.7	1.50	1.46
ITEM NO.	TECHNICAL PARAMETERS/MM			
	E	F	S	W
8-292K-003	0.47	0.98	0.25	1.73
8-292K-004	0.57	0.98	0.25	1.73
8-292K-007	0.75	1.3	0.31	2.05
8-292K-015	0.94	1.38	0.37	5.4
8-292K-023	1.13	1.73	0.50	2.76
8-292K-025	1.31	1.73	0.50	2.76
8-292K-032	1.50	2.05	0.56	3.31
8-292K-045	1.88	2.36	0.63	4.13
8-292K-070	2.25	2.99	0.87	4.96
8-292K-090	2.63	3.46	1.00	5.79
8-292K-120	3.00	4.09	1.00	6.61