

# Jinbo Marine

Marine & Offshore Equipment Datasheet

PRODUCT DATASHEET

OFFSHORE ANCHOR

## 8000KGS Delta Welding HHP Anchor

Jinbo Marine supply the delta Welding HHP anchor with weight from 100kgs to 25000kgs, certified by ABS, LR, BV, GL, KR, IRS, CCS Certificate. From your securing order to final delivery, we wor hard to make sure everythin...

- ISO9001 Supplier
- Class Certificate
- Export Supply



### Key Highlights

Category	Offshore Anchor
Standard	DIN
Material	Steel Plate and Casting Steel
Weight / Size	from 100kgs to 25000kgs
Certificate	ABS, LR, BV, DNV, GL, RINA, NK, KR, RS, IRS, CCS

We can supply according to your requirement, drawings, class certificate needs, and delivery schedule.

### Technical Specifications

Category	Offshore Anchor	Model / SKU	8000KGS-hyd14-Delta-Welding-HHP-Anchor
Standard	DIN	Material	Steel Plate and Casting Steel
Weight / Size	from 100kgs to 25000kgs	Certificate	ABS, LR, BV, DNV, GL, RINA, NK, KR, RS, IRS, CCS
Warranty	12 Months unless specified otherwise	Origin	China

<b>CONTENTS</b>	■ China 8000KGS Delta Welding HHP Anchor:	■ Delta Welding HHP Anchors Specification
	■ Anchor Weight and Dimension	■ Delta Superior Anchor Photos

### China 8000KGS Delta Welding HHP Anchor:

Jinbo Marine supply the delta Welding HHP anchor with weight from 100kgs to 25000kgs, certified by ABS, LR, BV, GL, KR, IRS, CCS Certificate. From your securing order to final delivery, we wor hard to make sure everything goes as required and high quality.



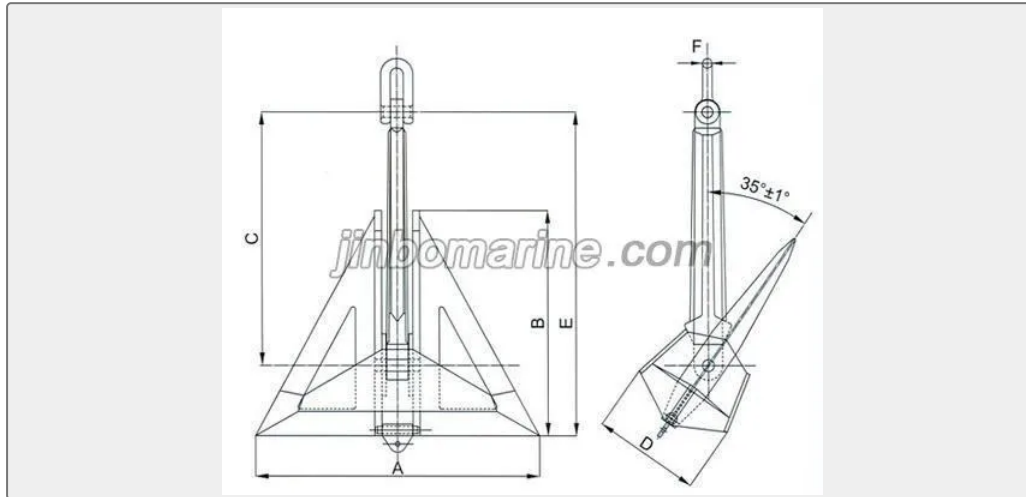
## Delta Welding HHP Anchors Specification

Material: High Quality Steel Plate and Casting Steel(Shank)

The anchor is to be suitable for kinds of ships use.

Magnetic Particle Examination of welding is to be performed after proof testing.

## Anchor Weight and Dimension



Weight/Mass (KG)	Size(mm)					
	A	B	C	D	E	F
300KGS	1200	960	1080	457	1380	45
500KGS	1500	1200	1350	571	1725	50
1000KGS	1875	1500	1686	714	2155	62
1080KGS	1915	1530	1686	722	2200	62
2000KGS	2363	1890	2124	900	2715	82
3000KGS	2700	2160	2430	1028	3105	90
4000KGS	2975	2380	2676	1133	3420	100
5000KGS	3250	2600	2922	1238	3735	110
7000KGS	3575	2860	3216	1361	4100	117
7500KGS	3650	2925	3290	1390	4210	117
8000KGS	3730	2900	3360	1420	43000	130
9000KGS	3950	3160	3555	1504	4543	135
10000KGS	4100	3280	3690	1561	4715	140
12000KGS	4490	3575	4030	1695	5320	145
13500KGS	4670	3720	4195	1765	5535	150
15000KGS	4845	3875	4355	1830	5735	150

18000KGS	5140	4080	4610	1940	6080	160
20000KGS	5330	4260	4790	2010	6310	170
22500KGS	5490	4360	4905	2060	6470	180
25000KGS	5740	4590	5160	2165	6795	195

## Delta Superior Anchor Photos



1500kgs Anchors Head



1500KGS Anchor Shank

Please specify the weight and quantity, FOB or CIF when enquiry.

For more details, please feel free to contact us.