

Jinbo Marine

Marine & Offshore Equipment Datasheet

PRODUCT DATASHEET

MARINE STOCKLESS ANCHOR

95 SPEK Anchor

95 SPEK Anchor is with lower point of Gravity, compared with Hall Anchor. Weight is from 100KGS to 26000KGS. Cheap Price and Fast Delivery, stocked anchors available.

ISO9001 Supplier

Class Certificate

Export Supply



Key Highlights

Category	Marine Stockless Anchor
Standard	DIN
Material	Casting Steel
Weight / Size	100KGS to 20000KGS
Certificate	ABS, LR, BV, DNV, GL, RINA, NK, KR, RS, IRS, CCS

We can supply according to your requirement, drawings, class certificate needs, and delivery schedule.

Technical Specifications

Category	Marine Stockless Anchor	Model / SKU	95-SPEK-Anchor
Standard	DIN	Material	Casting Steel
Weight / Size	100KGS to 20000KGS	Certificate	ABS, LR, BV, DNV, GL, RINA, NK, KR, RS, IRS, CCS
Warranty	12 Months unless specified otherwise	Origin	China

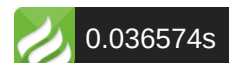
CONTENTS

- China 95 SPEK Anchor:
- 95 SPEK Anchor Specification:
- 95 SPEK Anchors Dimension:
- 9900KGS SPEK Anchor Type 95

China 95 SPEK Anchor:

SPEK Anchors is the improved anchor with lower point of gravity based on hall anchor, Anchor fluke grounded easily, more stability, when Anchor SPEK haul up, anchor fluke will turn over against the hull, which would not make damage to ship hull.

SPEK Anchor is easy to install and recovery.



We supply this anchors for new ship building or replacement in Singapore, Indonesia, Malaysia and other countries, please [contact](#) us for inquiry.

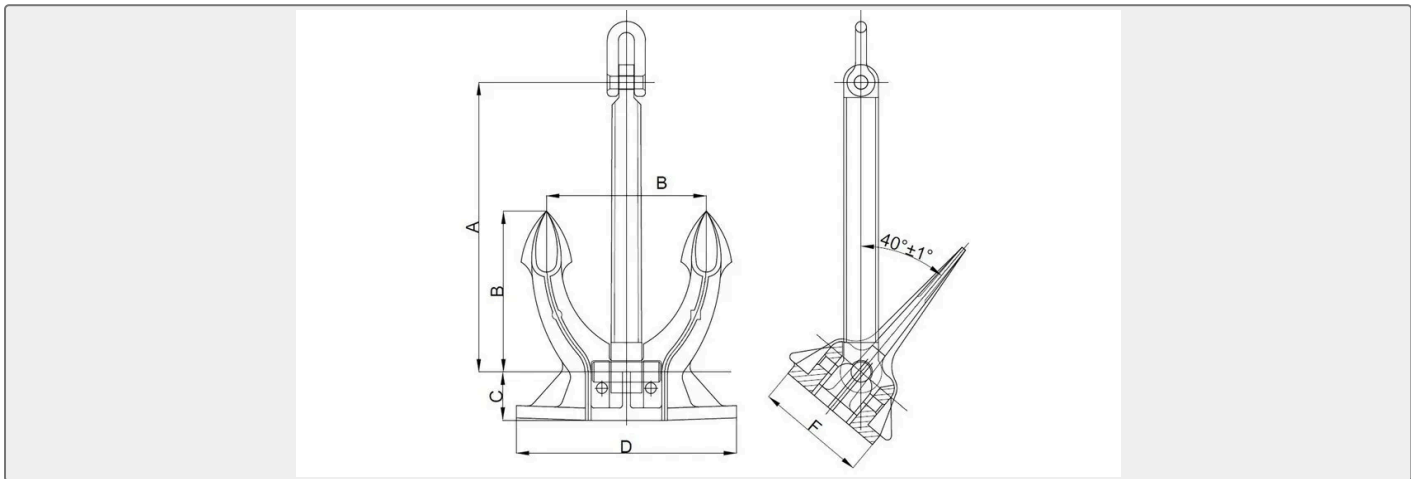
95 SPEK Anchor Specification:

Material: Casting Steel

Weight: 100KGS to 20000KGS

Class Certificate: ABS, LR, BV, DNV, GL, NK, KR, IRS and CCS

95 SPEK Anchors Dimension:



95 SPEK Anchor Drawing

Nominal Weight (KG)	Size(mm)				
	A	B	C	D	F
100	672	373	112	515	250
150	770	428	128	590	290
180	846	470	140	640	300
240	900	500	150	690	358
300	990	550	166	760	398
360	1065	600	180	828	431
420	1080	600	180	828	446
500	1170	650	196	900	446
570	1170	650	196	900	486
660	1260	700	210	962	486
780	1355	750	225	1032	547
900	1440	800	240	1100	573
1020	1530	850	252	1170	591
1140	1620	900	268	1240	628



1290	1710	900	268	1240	640
1440	1710	950	279	1300	671
1590	1710	950	279	1378	689
1740	1800	1000	300	1454	704
1920	1850	1050	312	1454	717
2100	1890	1050	312	1454	736
2280	2010	1050	312	1514	764
2460	2010	1100	324	1584	794
2640	2070	1150	352	1584	804
2850	2070	1150	352	1650	820
3060	2160	1200	360	1650	834
3300	2155	1200	360	1650	834
3540	2350	1200	360	1850	880
3780	2430	1350	393	1850	917
4050	2430	1350	393	1926	930
4320	2520	1400	413	1926	930
4590	2520	1400	413	1926	931
4890	2520	1400	413	2000	954
5250	2610	1450	414	2000	964
5610	2610	1450	414	2060	981
6000	2700	1500	446	2060	1006
6450	2700	1500	446	2138	1028
6900	2790	1550	456	2138	1034
7350	2790	1550	456	2138	1062
7800	2920	1550	456	2332	1126
8300	3060	1700	510	2332	1156
8700	3060	1700	510	2332	1169
9300	3060	1700	510	2332	1188
9900	1700	1700	510	2332	1188
10500	1770	1770	531	2440	1212
11100	1770	1770	531	2440	1237
11700	1770	1770	531	2440	1279
12300	1910	1910	573	2632	1279



12900	1910	1910	573	2632	1316
13500	1910	1910	573	2632	1353
14100	1910	1910	573	2632	1369
14700	2050	2050	615	2824	1369
15400	2050	2050	615	2824	1387
16100	2050	2050	615	2824	1387
16900	2120	2120	636	2922	1415
17800	2120	2120	636	2922	1431
18800	2190	2190	657	3018	1461
20000	2190	2190	657	3018	1493
26000	2360	2360	716	3258	1628

9900KGS SPEK Anchor Type 95





Other SPEK Anchor:

[Type M SPEK Anchor](#)

[Type SR SPEK Anchor](#)