

WARPING ROLLER

A Type Fairlead Rollers

Complete with a primer paint finish our Warping Roller (also know as Fairlead roller) are immediately ready for any vessel installation. Cast from the finest quality steel for added durability, our fairlead roller ran...

- ISO9001 Supplier
- Class Certificate
- Export Supply



Key Highlights

Category	Warping Roller
Standard	JIS
Material	cast steel, cast iron
Certificate	ABS , BV, CCS, mill certificate etc.

We can supply according to your requirement, drawings, class certificate needs, and delivery schedule.

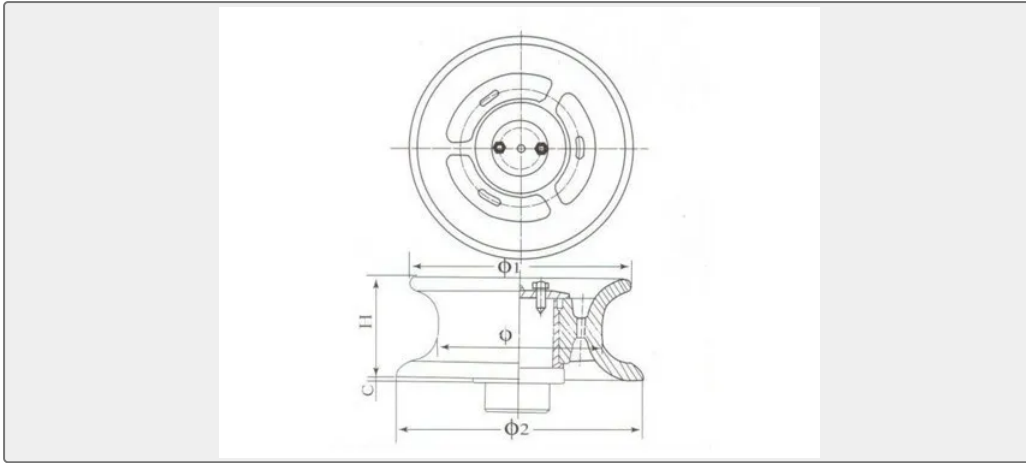
Technical Specifications

Category	Warping Roller	Model / SKU	A-Type-Fairlead-Rollers
Standard	JIS	Material	cast steel, cast iron
Surface	Complete with a primer paint finish our Warping Roller (also know as Fairlead roller) are immediately ready for any vessel installation.	Certificate	ABS , BV, CCS, mill certificate etc.
Warranty	12 Months unless specified otherwise	Origin	China

CONTENTS	■ China A Type Fairlead Rollers:	■ Product description:
	■ Supply scope:	



China A Type Fairlead Rollers:



Complete with a primer paint finish our Warping Roller (also know as Fairlead roller) are immediately ready for any vessel installation. Cast from the finest quality steel for added durability, our fairlead roller range utilises a combination of horizontal and vertical rollers to give you a comprehensive solution for your needs.

Product description:

It is used for bollard cable leading of ships

good wear and corrosion resistance to grant a long service time

All products can be designed according to customers requirements.

The breaking load of tight wire is the highest.

Compact design, precision machined smooth surface, easily removable shafts,

Combination type including double warping roller with plate, three warping roller with plate and more.

Paint: Grey Epoxy Primer, for the middle paint and surface according to your requirement.

Delivery time: 7-15 days after order be confirmed.

Machining facilities :CNC center, CNC lathes, ultrasonic wave cleaning etc

A type Fairlead roller						
Product No.	Nominal diameter Φ	$\Phi 1$	$\Phi 2$	H	c	
AFR-001	150	150	216	240	137	5
AFR-002	200	200	280	310	157	5
AFR-003	250	250	350	380	177	6
AFR-004	300	300	400	440	197	7
AFR-005	350	350	460	500	217	7
AFR-006	400	400	520	560	237	7
AFR-007	450	450	590	630	257	7
AFR-008	500	500	660	700	277	7



Supply scope:

DIN 81906-1999 Fairlead roller

NS2585 Type Marine warping roller----Also known as GB 10105-88 warping roller

JIS F2014-1987 fairlead roller

KOREAN WARPING ROLLER

CB58-83 fairlead roller

Cleat fairlead with single roller CB436-2000 type A

Cleat fairlead with single roller CB436-2000 type B

Double Warping Roller With Plate

DIN81907 1997 Fairleads roller

A type Fairlead Rollers