

Jinbo Marine

Marine & Offshore Equipment Datasheet

PRODUCT DATASHEET

DOVETAIL PLATES FOUNDATIONS

AC-B2D Double Raised Foundation

Material:structural steel Finish:shop primer Center distance have 203mm, 216mm and 258mm available. Type H Weight ...

ISO9001 Supplier

Class Certificate

Export Supply



Key Highlights

Category	Dovetail Plates Foundations
Standard	EN
Material	Material:structural steel Finish:shop primer Center distance have 203m...
Weight / Size	Type H Weight AC-B2/D/203/110 110 12.4kg AC-B2/D/216/110 110 12.6kg AC-B...
Certificate	ABS, LR, BV, DNVGL, NK, KR, IRS, RMRS, CCS

We can supply according to your requirement, drawings, class certificate needs, and delivery schedule.

Technical Specifications			
Category	Dovetail Plates Foundations	Model / SKU	AC-B2D-Double-Raised-Foundation
Standard	EN	Material	Material:structural steel Finish:shop primer Center distance have 203mm, 216mm and 258mm available.
Weight / Size	Type H Weight AC-B2/D/203/110 110 12.4kg AC-B2/D/216/110 110 12.6kg AC-B2/D/247/110 110 13.3kg LOADS SHEAR (kN) TENSION (kN) BREAKING LOAD 420 500 SAFE WORKING LOAD 210 250 AC-B2/D/203/110 Drawing AC-B2/D/216/110 Drawing AC-B2/D/258/110 Drawing	Surface	Material:structural steel Finish:shop primer Center distance have 203mm, 216mm and 258mm available.
Certificate	ABS, LR, BV, DNVGL, NK, KR, IRS, RMRS, CCS	Warranty	12 Months unless specified otherwise
Origin	China		

CONTENTS			
	■ China AC-B2D Double Raised Foundation:		■ AC-B2/D/203/110 Drawing
	■ AC-B2/D/216/110 Drawing		■ AC-B2/D/258/110 Drawing

China AC-B2D Double Raised Foundation:

Material:structural steel

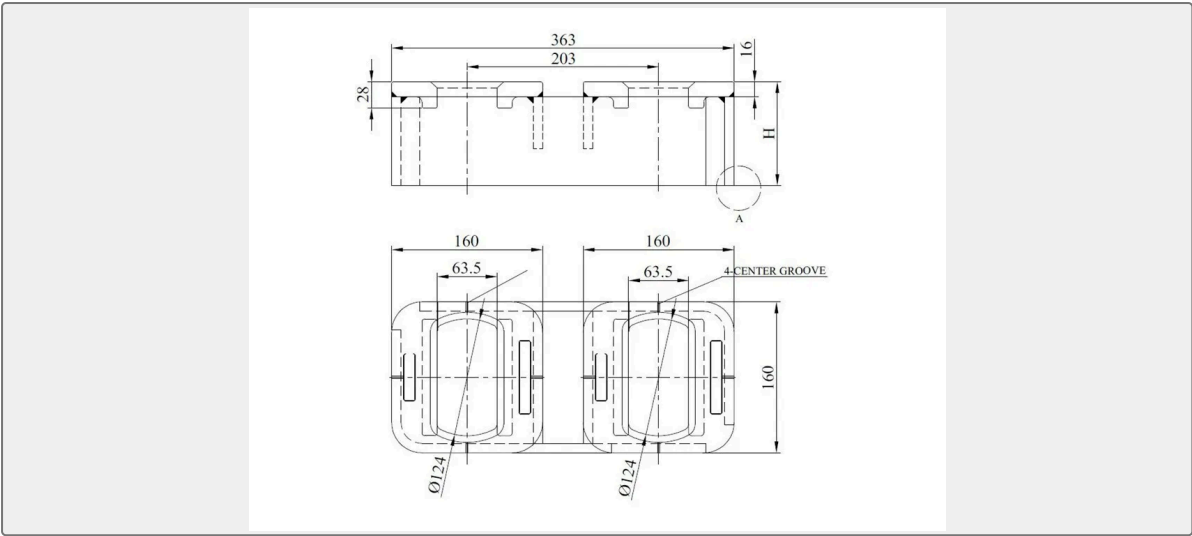
Finish:shop primer

Center distance have 203mm, 216mm and 258mm available.

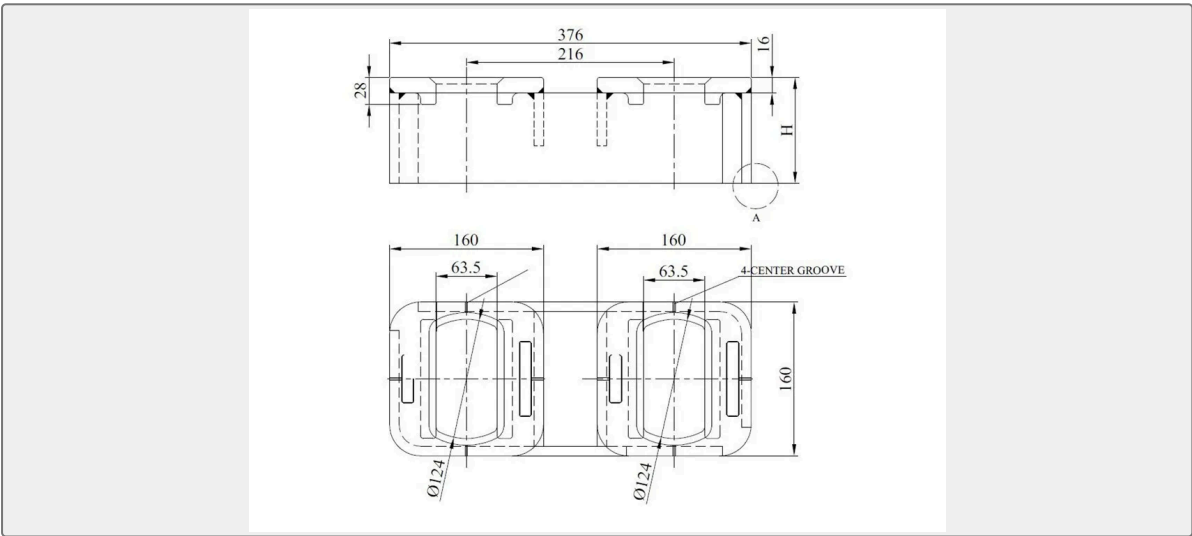
Type	H	Weight
AC-B2/D/203/110	110	12.4kg
AC-B2/D/216/110	110	12.6kg
AC-B2/D/247/110	110	13.3kg

LOADS	SHEAR (kN)	TENSION (kN)
BREAKING LOAD	420	500
SAFE WORKING LOAD	210	250

AC-B2/D/203/110 Drawing



AC-B2/D/216/110 Drawing



AC-B2/D/258/110 Drawing

