


CENTRIFUGAL PUMP

AELC Type Self Priming Device

AELC Type Self Priming Device General The AELC type self-priming device works by ejecting air. It is expediently used because of the small volume and the light weight. It can be mounted on the frame of the...

- ISO9001 Supplier
- Class Certificate
- Export Supply

	<h3 style="margin: 0;">Key Highlights</h3> <table border="1" style="width: 100%; border-collapse: collapse;"> <tr> <td style="background-color: #1a3d4d; color: white; padding: 5px;">Category</td> <td style="padding: 5px;">Centrifugal Pump</td> </tr> <tr> <td style="background-color: #1a3d4d; color: white; padding: 5px;">Standard</td> <td style="padding: 5px;">EN</td> </tr> <tr> <td style="background-color: #1a3d4d; color: white; padding: 5px;">Material</td> <td style="padding: 5px;">Cast iron</td> </tr> <tr> <td style="background-color: #1a3d4d; color: white; padding: 5px;">Weight / Size</td> <td style="padding: 5px;">It is expediently used because of the small volume and the light weight.</td> </tr> <tr> <td style="background-color: #1a3d4d; color: white; padding: 5px;">Certificate</td> <td style="padding: 5px;">ABS, LR, BV, DNVGL, NK, KR, IRS, RMRS, CCS</td> </tr> </table> <p style="font-size: small; margin-top: 10px;">We can supply according to your requirement, drawings, class certificate needs, and delivery schedule.</p>	Category	Centrifugal Pump	Standard	EN	Material	Cast iron	Weight / Size	It is expediently used because of the small volume and the light weight.	Certificate	ABS, LR, BV, DNVGL, NK, KR, IRS, RMRS, CCS
Category	Centrifugal Pump										
Standard	EN										
Material	Cast iron										
Weight / Size	It is expediently used because of the small volume and the light weight.										
Certificate	ABS, LR, BV, DNVGL, NK, KR, IRS, RMRS, CCS										

Technical Specifications			
Category	Centrifugal Pump	Model / SKU	AELC-Type-Self-Priming-Device
Standard	EN	Material	Cast iron
Weight / Size	It is expediently used because of the small volume and the light weight.	Certificate	ABS, LR, BV, DNVGL, NK, KR, IRS, RMRS, CCS
Warranty	12 Months unless specified otherwise	Origin	China

CONTENTS	<ul style="list-style-type: none"> ■ AELC Type Self Priming Device ■ Performance Spec ■ Performance Curve 	<ul style="list-style-type: none"> ■ General ■ Structure Specification
-----------------	--	--



AELC Type Self Priming Device

General

The AELC type self-priming device works by ejecting air. It is expediently used because of the small volume and the light weight. It can be mounted on the frame of the pump, and connected to the suction hole of the pump, so that to impart the ability of self priming and the pump can be started automatically when the water is full within the pump. Moreover, it can also automatically turn off the self priming device after the pump is started. Therefore, It is especially suitable for the marine centrifugal pumps and other industrial pumps with the similar conditions, to achieve automatically control.

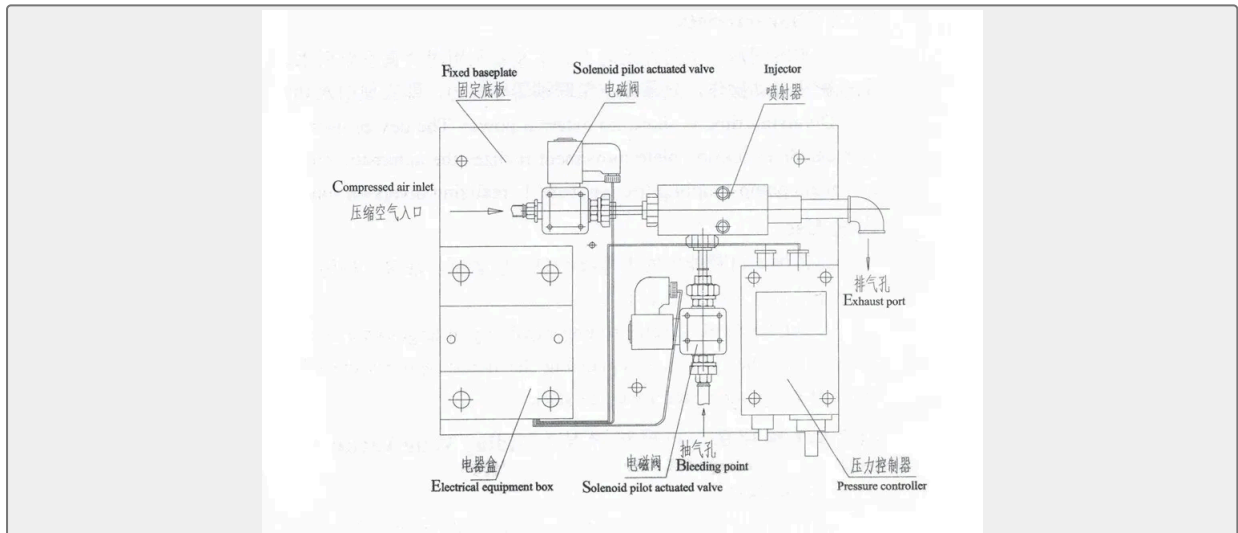
Performance Spec

The AELC type self priming device has three types: AELC-0.3, AELC-0.5, AELC-0.8, 0.3, 0.5, 0.8 are the performance parameters - the sucking rate.

For example, AELC-0.3, the sucking rate is 0.3m³/min.

For all of the self-priming devices have the same installation dimensions, users can choose the suitable spec. Based on the performance. The medium of AELC type self-priming fit to: Seawater, fresh water, lightweight oil, all kinds of acid-base liquid, etc.

Structure Specification



Performance Curve

