

Jinbo Marine

Marine & Offshore Equipment Datasheet

PRODUCT DATASHEET

MARINE FAIRLEAD

AF-39 Marine Flange Mounted Balanced Head Anchor Fairlead

ISO9001 Supplier

Class Certificate

Export Supply

Feature: 1.Excellent quality. 2.Competitive price . 3.Durable, long lifetime. Fairlead is a device to change the cable direction used for guiding ropes in ship mooring and will not breakdown.

...



Key Highlights

Category	Marine Fairlead
Standard	JIS
Material	Steel
Weight / Size	Size chart:
Certificate	ABS , BV, CCS, mill certificate etc.

We can supply according to your requirement, drawings, class certificate needs, and delivery schedule.

Technical Specifications

Category	Marine Fairlead	Model / SKU	AF-39-Marine-Flange-Mounted-Balanced-Head-Anchor-Fairlead
Standard	JIS	Material	Steel
Weight / Size	Size chart:	Surface	Provide CCS , BV , LR , BV etc Certificate Customized service is available, Advanced equipment ,Strong consciousness in controlling quality Material:ZG230-450,Q235 Surface:
Certificate	ABS , BV, CCS, mill certificate etc.	Warranty	12 Months unless specified otherwise
Origin	China		

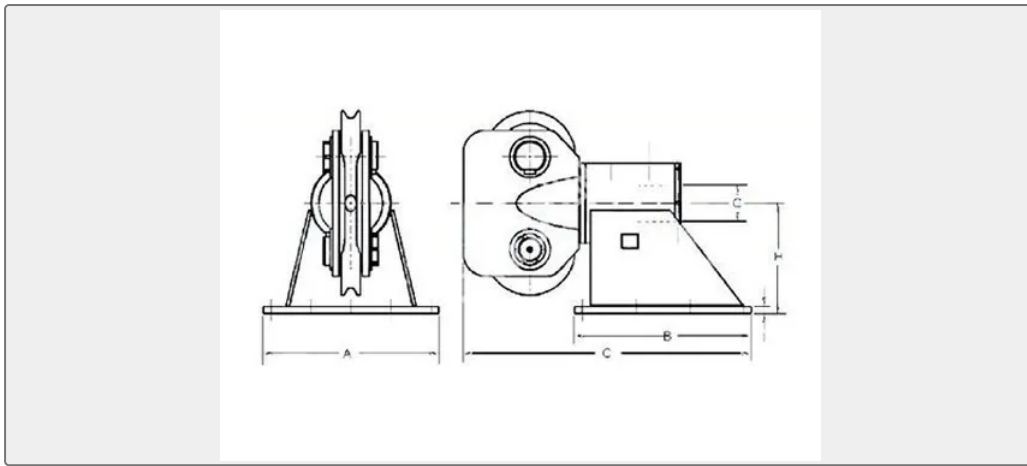
CONTENTS

- Feature:

- Size chart:



0.036812s



Feature:

- 1.Excellent quality.
- 2.Competitive price .
- 3.Durable, long lifetime.

Fairlead is a device to change the cable direction used for guiding ropes in ship mooring and will not breakdown.

Provide CCS , BV , LR , BV etc Certificate

Customized service is available, Advanced equipment ,Strong consciousness in controlling quality

Material:ZG230-450,Q235

Surface: Blasting,Epoxy.

Machining facilities :CNC center, CNC lathes, ultrasonic wave cleaning,etc

Good wear and corrosion resistance

We can supply fairlead, roller according to JISF, DIN and GB standards. We can also make these products according to buyer's drawings.

Size chart:

Anchor Fairlead AF-39									
Wire Rope Dia.		Sheave Dia.(mm)	Dimension(mm)						Mass Weight
mm	inch		A	B	C	T	H	G	kg
25	1"	254	559	356	651	20	292	90	367
32	1-1/4"	305	711	508	862	30	343	100	612
38	1-1/2"	406	762	762	1233	40	459	150	918
44	1-3/4"	508	1067	914	1503	50	546	190	1700
50	2	610	1219	1067	1775	50	648	220	2108
64	2-1/2"	762	1372	1219	2103	60	800	250	2465